

JK-8995

零件样本

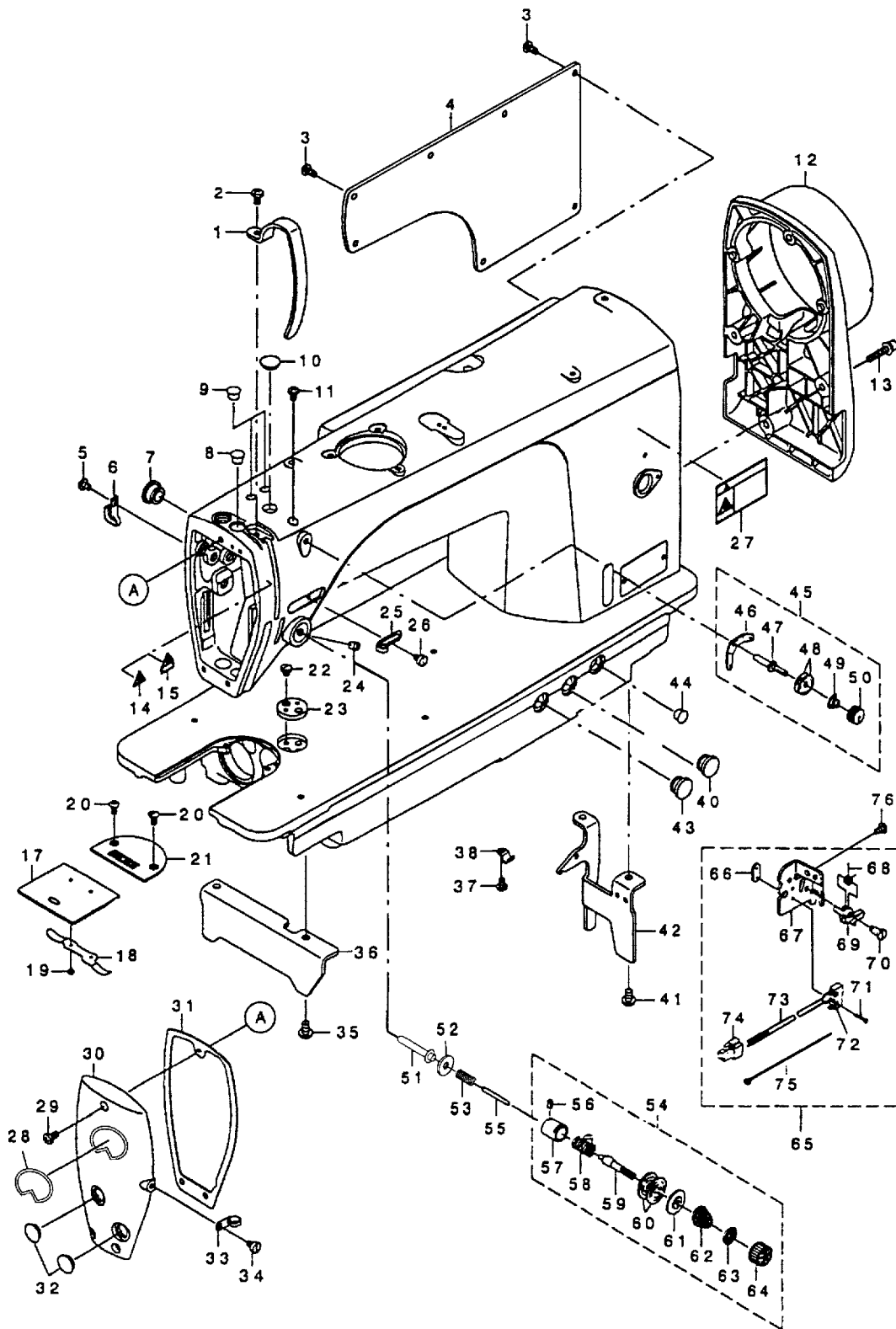
PARTS BOOK

**New JACK Sewing
Machine**

2013 年 4 月版

Revised edition in April, 2013

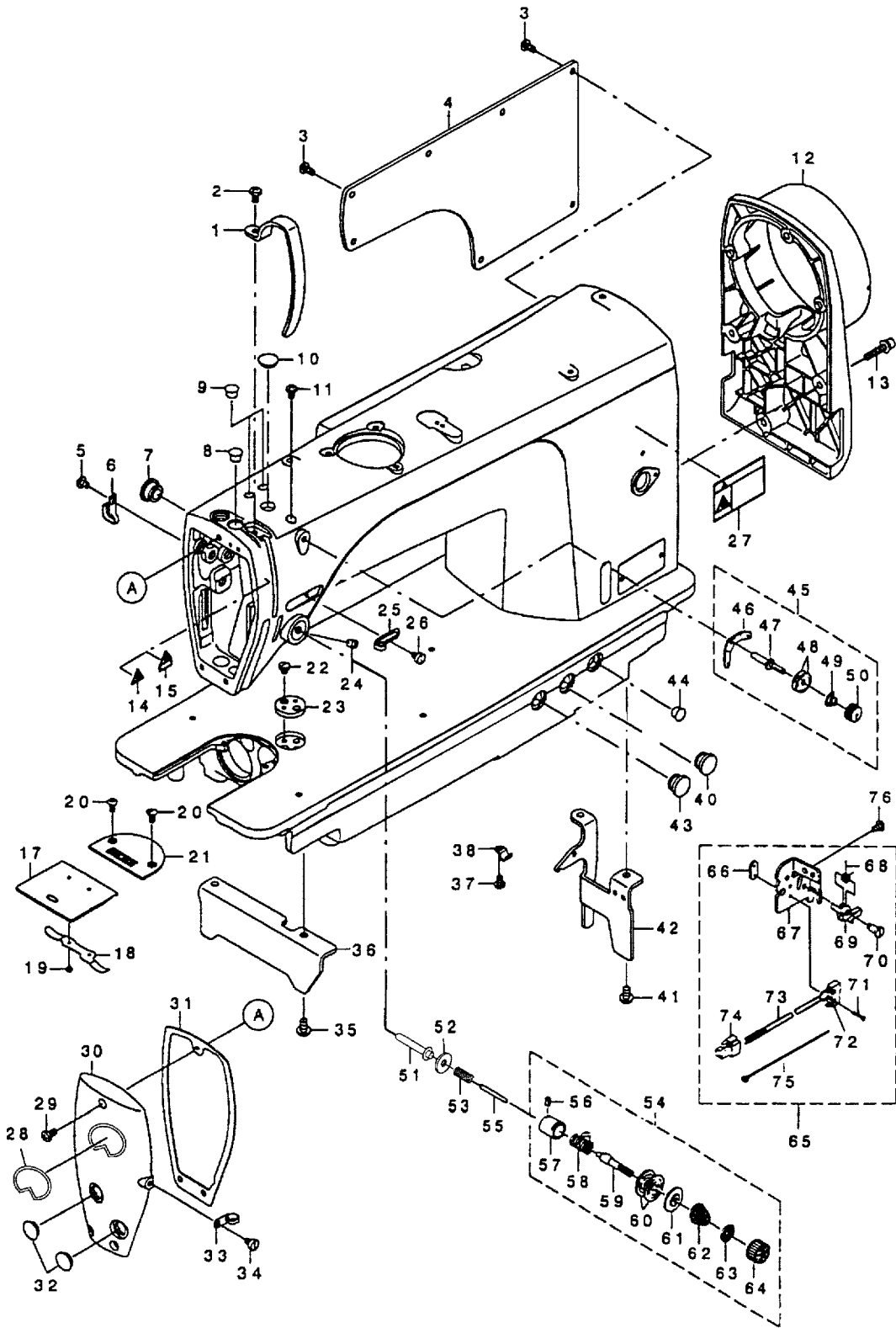
一、机壳盖板、组件 Machine frame & Miscellaneous cover components



一、机壳盖板、组件 Machine frame & Miscellaneous cover components

序号 Ref.No.	件号 PartNo.	参考件号 Ref.Part No.	名称	Description	数量 Amt.
1	300249	236-00505	挑线杆护罩	Thread take-up lever cover	1
2	101S11001	SS-4120915-SP	螺钉SM3/16"×28 L=9	Screw SM3/16"×28 L=9	1
3	101S11001	SS-4120915-SP	螺钉SM3/16"×28 L=9	Screw SM3/16"×28 L=9	7
4	11412002	236-00208	后窗板	Slide plate	1
5	101S11001	SS-4120915-SP	螺钉SM3/16"×28 L=9	Screw SM3/16"×28 L=9	1
6	11412051	135-30001	弯钩	Upper shaft front metal oil wi	1
7	11422003	TA-1470704-R0	孔塞	Rubber plug	1
8	10122013	B1405-012-000	针杆上衬套孔塞	Rubber plug	1
9	10122005	TA-0850604-R0	挑线连杆销螺孔塞	Rubber plug	2
10	10122004	TA-1250705-R0	针杆曲柄螺孔塞	Rubber plug	1
11	101S11001	SS-4120915-SP	螺钉SM3/16"×28 L=9	Screw SM3/16"×28 L=9	1
12	11401054	236-00604	屯机罩(塑料)	Pulley cover	1
	11401055		屯机罩(塑料无字)	Pulley cover	1
13	114S30001	SL-6052592-TN	螺栓(内六角)	Bolt	4
14	11437002	CM-3002000-01	注意危险	Attention seal	1
15	11437003		标签(16)	Lable(16)	1
16	1011500200	229-01250	推板组件	Slide plate asm	1
17	10115002	229-01201	推板	Slide plate	1
18	10127009	229-01300	推板簧	Slide plate spring	1
19	101S11019	SS-6060210-SP	推板簧螺钉SM3/32"×56 L=1.9	Screw SM2/32"×56 L=1.9	2
20	104S17002	SS-2110920-TP	针板螺钉(进口)	Screw	2
21	10115001	B119-012-10B	针板	Throat plate	1
22	114S11006	SS-7110540-SP	卷边器座螺钉	Screw	2
23	11412040	229-02605	卷边器座	Ruler stop seat	1
24	101S15006	SS-8150710-TP	夹线器螺钉	Screw	1
25	10113004	236-26104	右线钩	Arm thread guide A	1
26	101S11007	SS-6110610-TP	螺钉SM11/64"×40 L=6	Screw SM11/64"×40 L=6	1
27	11237003	CM-3002001-01	警告标记	Safety laber	1
28	11437001		商标牌	Plate	1
29	101S11001	SS-4120915-SP	螺钉SM3/16"×28 L=9	Screw SM3/16"×28 L=9	3
30	11401001	236-00307	面板	Face plate	1
31	11422001	236-00406	面板垫	Face plate packing	1
32	10122003	TA-1250406-R0	面板调节螺孔塞	Rubber plug	2
33	11413013	229-20607	左线钩	Arm thread guide B	1
34	101S11007	SS-6110610-TP	螺钉SM11/64"×40 L=6	Screw SM11/64"×40 L=6	1
35	101S11026	SS-4120915-SP	螺钉SM15/64"×28 L=9	Screw SM15/64"×28 L=9	2
36	11412004	236-00703	支撑板	Bed stud A	1
37	101S11001	SS-4120915-SP	螺钉SM3/16"×28 L=9	Screw SM3/16"×28 L=9	1
38	11412006	B3538-112-000	软管压板	Oil return tube holder	1
40	11402033		泄气阀	Leak gas valve	1
41	101S11026	SS-4120915-SP	螺钉SM15/64"×28 L=9	Screw SM15/64"×28 L=9	2
42	11412005	236-00802	后支撑板	Bed stud B	1
43	11422051	TA-1250705-R0	橡皮塞	Rubber plug	1

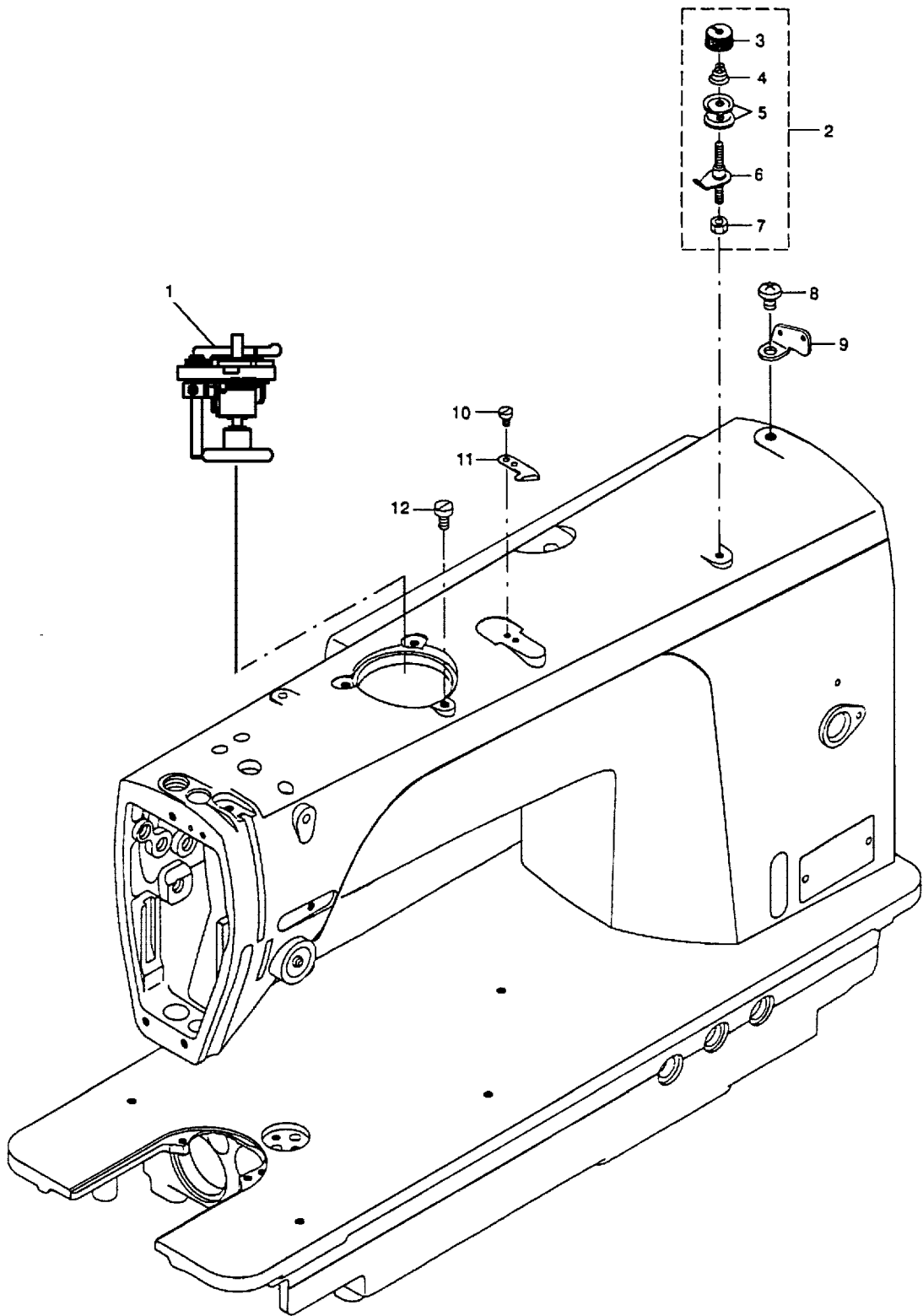
一、机壳盖板、组件 Machine frame & Miscellaneous cover components



一、机壳盖板、组件 Machine frame & Miscellaneous cover components

序号 Ref. No.	件号 PartNo.	参考件号 Ref. Part No.	名 称	Description	数量 Amt.
45	1141300400	229-45455	小夹线器组件	Thread tension asm, No. 1	1
46	11212003	229-45604	小过线倒板	Thread tension guide	1
47	112S30001	229-45406	小夹线器螺钉	Thread tension post	1
48	11212004	229-45802	小夹线板	Thread tension disk	2
49	11227001	229-45505	小夹线弹簧	Thread tension spring	1
50	112S16001	229-45703	小夹线螺母	Thread tension nut	1
51	10126003	110-18306	松线辅钉	Tension release supporting pin	1
52	10128001	110-19007	松线辅钉垫片	Washer plate	1
53	10127003	110-18405	松线辅钉弹簧	Tension release pin spring	1
54	400507	236-26054	夹线器组件	Thread tension asm.	1
55	10126002	B3118-552-F00	松线钉	Thread release pin	1
56	101S15005	SS-8090670-SP	夹线螺钉紧固螺钉	Screw	1
57	480003	229-45307	挑线弹簧调节器	Thread tension post base	1
58	10127001	229-21605	挑线簧	Takrup spring	1
59	101S30002	229-21209	夹线螺钉	Thread tension post	1
60	480001	229-21506	夹线板	Thread tension disk	2
61	10112006	229-21803	松线板	Disk stopper	1
62	10127020	229-21704	夹线簧	Tension spring	1
63	10112007	229-21407	夹线制动板	Tension disk stopper	1
64	101S16052	236-26005	夹线螺母	Tension nut	1
65	1143002300	236-38059	安全开关组件	Safety swith asm.	1
66	11412008	239-38406	安全开关固定板	Safety swith plate	1
67	11412007	236-38000	安全开关支架	Safety swith base	1
68	11427002	239-38208	安全开关弹簧	Safety swith spring	1
69	11427001	236-38109	安全开关跳板	Safety switch asm.	1
70	114S20001	236-38307	安全开关轴位螺钉	Screw	1
71	S01067	SM-4021201-SC	螺钉M2×12	Screw M2×12	2
72	11430023		安全开关	Safety swith	1
73	11230008	236-38554	电缆	Safety swith cord asm.	1
74	11436001	HK-0346100-40	接头	Housing	1
75	11211005	EA-9500-B01-00	尼龙扎带	Cable band	1
76	101S11025	SS-4110715-SP	螺钉SM11/64"×40 L=7	Screw SM11/64"×40 L=7	1

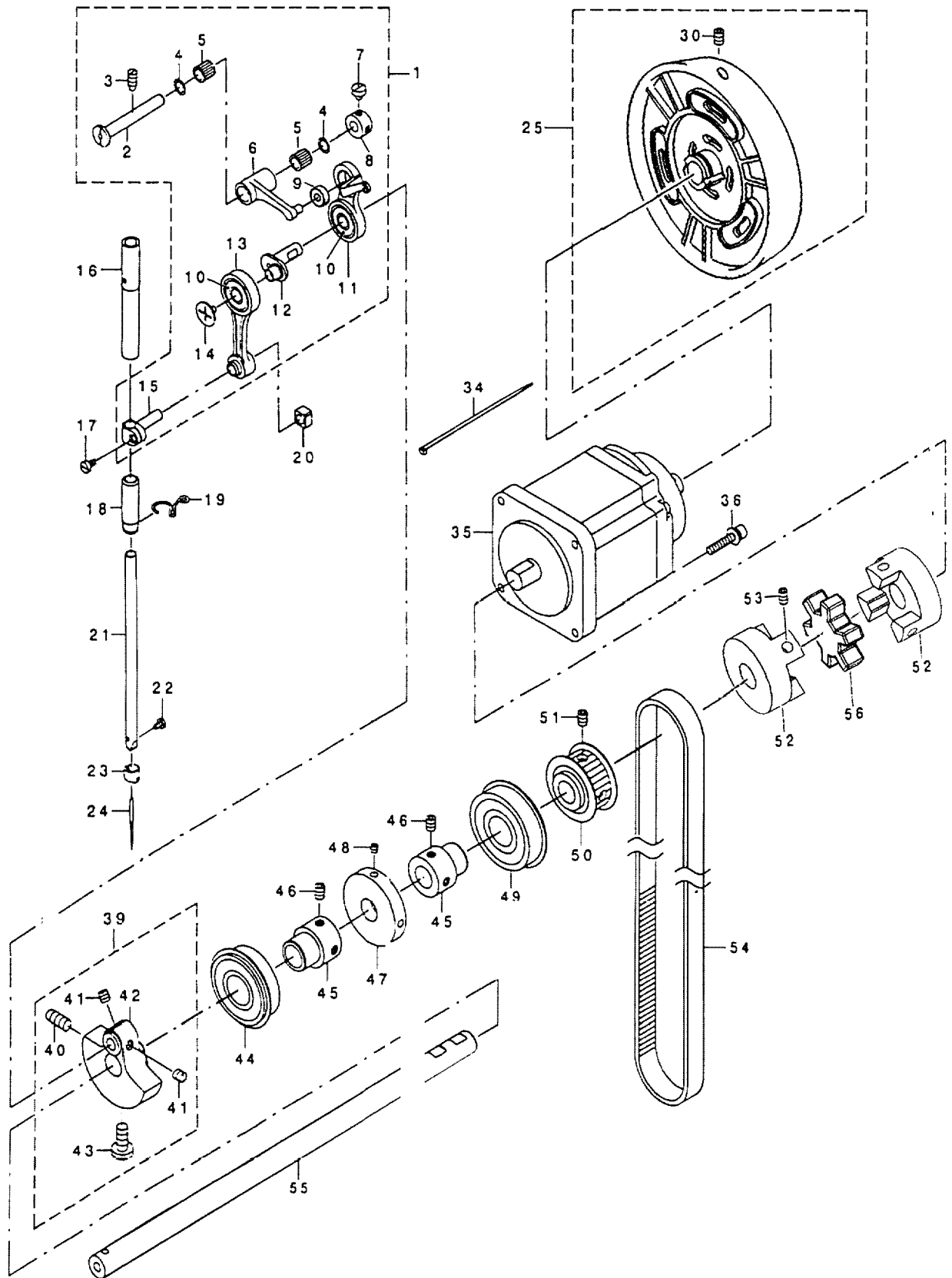
二、核心绕线组件 Bobbin winder components



二、核心绕线组件 Bobbin winder components

序号 Ref.No.	件号 PartNo.	参考件号 Ref.Part No.	名称	Description	数量 Amt.
1	1143103800	236-36061	绕线器组件(长)	Bobbin winder asm.	1
2	1141300200	236-36657	底线夹线器	Bobbin thread tension asm.	1
3	11411004	110-72402	夹线螺母	Thread tension nut	1
4	11427006	D7133-555-B00	小夹线弹簧	Connecting rod spring	1
5	11413003	B3126-012-000	夹线板	Thread tension disk	2
6	1143100300	141-13450	绕线螺柱组件	Bobbin thread tension rod asm.	1
7	114S16001	NS-6110530-SP	螺母SM11/64"×40	Nut SM11/64"×40	1
8	101S11026	SS-4150915-SP	油泵安装螺钉	Screw	1
9	11412011	137-06700	过线板	Thread guide plate	1
10	114S11015	SS-6090520-SP	割线刀螺钉	Screw	2
11	11419001	105-02300	割线刀	Thread cutter	1
12	114S11003	SS-6121030-SN	螺钉SM3/16"×28 L=10	Screw SM3/16"×28 L=10	3

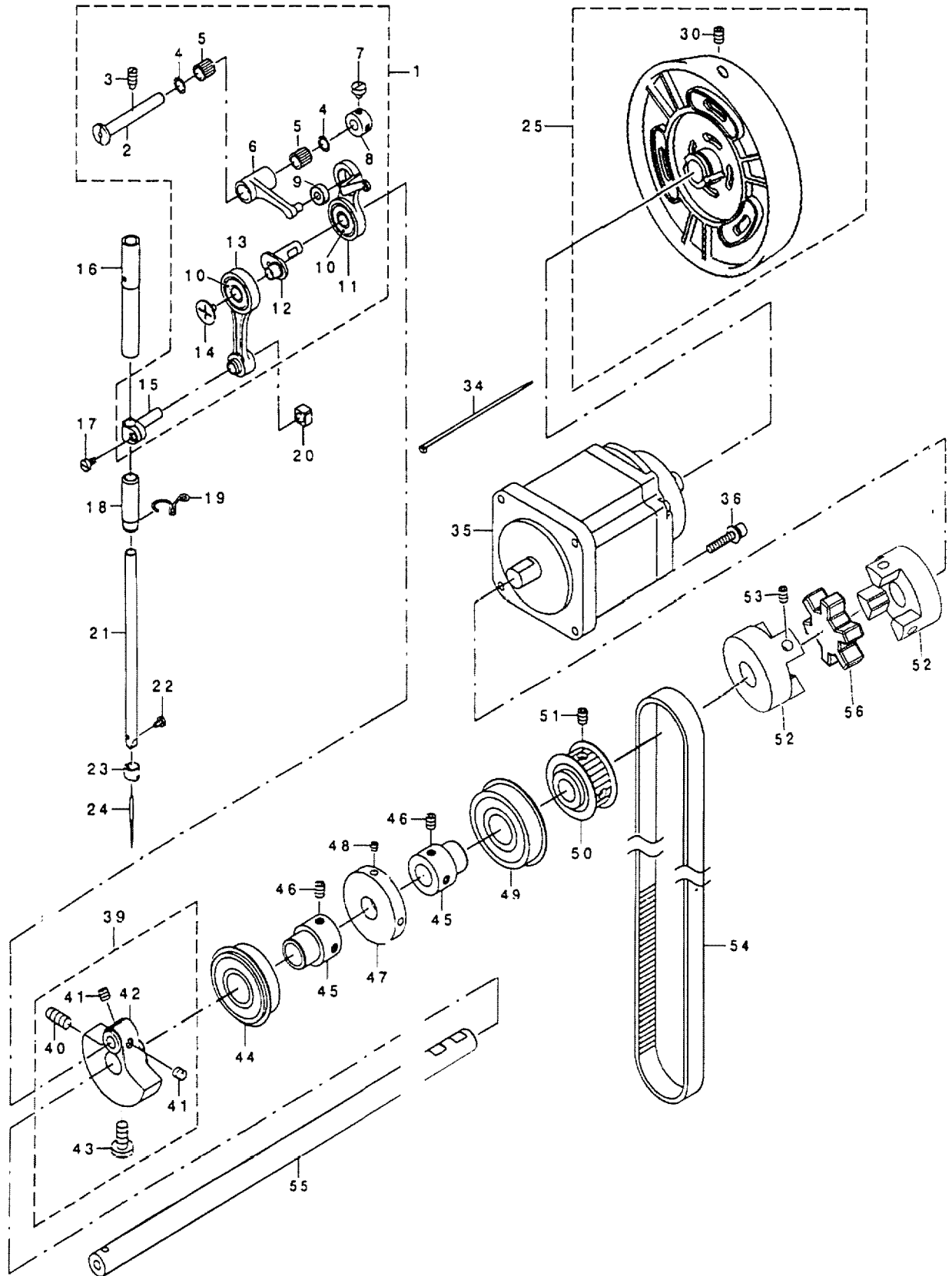
三、上轴、针杆组件 Main & Needle bar components



三、上轴、针杆组件 Main & Needle bar components

序号 Ref.No.	件号 PartNo.	参考件号 Ref.Part No.	名 称	Description	数量 Amt.
1	1143800100	236-22400	挑线组件	Thread take-up asm.	1
2	11426001	SS-6151920-TP	挑线连杆销	Thread take-up crank shaft	1
3	101S15010	228-91204	螺钉SM15/64"×28 L=10.5	Screw SM15/64"×28 L=10.5	1
4	11411005	SB-3070002-00	轴承支承挡圈	Bearing support	2
5	B08003		滚针轴承K7×10×10	Bearing	2
6	11438004		挑线杆连杆	Thread take-up lever crand rod	1
7	114S11008		挡圈螺钉	Screw	2
8	11408002		挡圈	Thrust collar asm.	1
9	B01013		轴承605	Bearing 605	1
10	B01014		轴承608	Bearing 608	2
11	11438003		挑线杆	Thread take-up lever	1
12	11402007		挑线曲柄	Needle bar crand	1
13	1143800200		针杆连杆组件	Needle bar crand rod asm	1
14	114S30004		挑线曲柄左旋螺钉	Screw (left twist)	1
15	11404005	229-06408	针杆连接柱	Needle rod holder	1
16	11403006	236-08003	针杆上套	Needle bar metal, upper	1
17	101S11005	SS-6090620-TP	针杆连接柱螺钉	Screw SM9/64"×40 L=6	1
18	11403007	236-08102	针杆下套	Needle bar metal, lower	1
19	11413004	236-26203	针杆下衬套线钩	Needle bar metal, lower thread guide	1
20	11409001	B1414-555-000	针杆连接柱滑块	Slide block	1
21	11402034	110-35003	针杆	Needle bar	1
22	104S11006	SS-7080510-TP	支针螺钉(进口)	Screw	1
23	10113002	110-05303	针杆线勾	Needle bar thread guide	1
24	10117001	MDB-100B1400	机针DB×1#14	Needle DB×1#14	1
25	1143500200		手轮部件	Hand wheel asm.	1
30	S10009	SM-8060812-TP	螺钉M6×8	Screw M6×8	2
34	11211005	EA-9500B01-00	尼龙扎带	Cable band	2
35	1143300700	M6001-471-AA0	直驱电机(鲍麦克斯)	Motor A asm.	1
35	1143301400		直驱电机(琦星)		1
36	114S30001	SL-6052592-TN	内六角螺栓	Bolt	4
37	11433002	M6801-471-0A0	同步器	Sync asm.	1
38	S01010	SL-4040881-SC	螺钉M4×8	Screw M4×8	2
39	1140400200	236-04168	针杆曲柄部件	Cornter weight asm.	1
40	101S15004	SS-8681650-TP	针杆曲柄紧固螺钉	Screw	1
41	101S15007	SS-8660810-TP	压杆导架螺钉	Screw	2
42	11404003	236-04119	针杆曲柄	Cornter weight	1
43	101S11003	SS-7681650-TP	针杆曲柄定位螺钉	Screw	1
44	B10001	SB-1200009-00	轴承6204Z	Bearing	1
45	11403002	236-04200	主轴轴承套	Bearing support	2
46	S10009	SM-8060812-TP	螺钉M6×8	Screw M6×8	4
47	11435008	236-36400	绕线器驱动轮	Bobbin winder driving wheel	1
48	113S14002	SS-7110551-SP	螺钉SM11/64"×40 L=4	Screw SM11/64"×40 L=4	2
49	B01003	SB-1200008-00	轴承 6304Z	Bearing	1

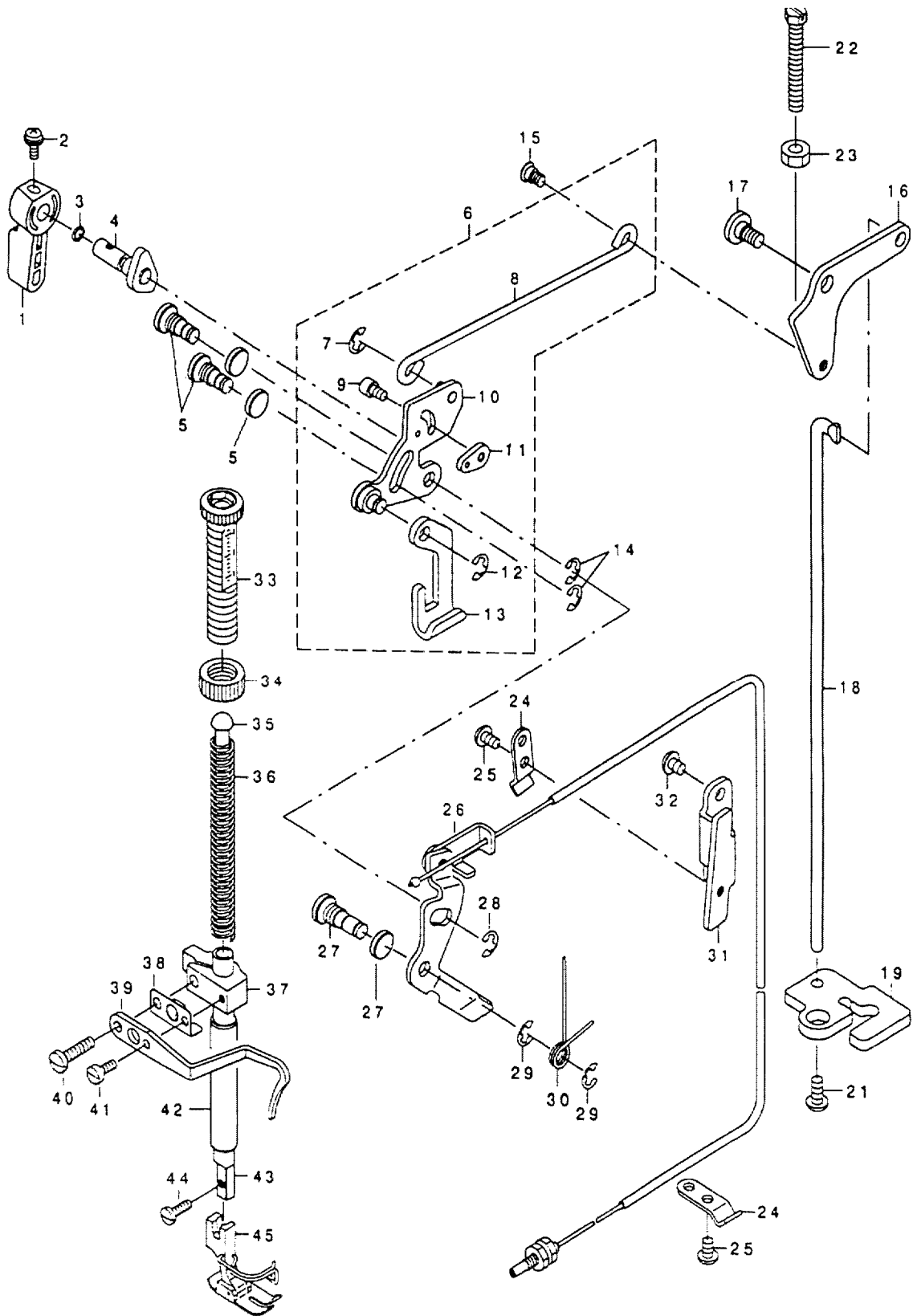
三、上轴、针杆组件 Main & Needle bar components



三、上轴、针杆组件 Main & Needle bar components

序号 Ref.No.	件号 PartNo.	参考件号 Ref.Part No.	名 称	Description	数量 Amt.
50	1143500400	236-07054	上同步齿轮组件	Sprocket upper	1
51	S10009	SM-8060812-TP	螺钉M6×8	Screw M6×8	2
52	11403003	236-04309	联轴器	Coupling	2
53	S10038	SM-8060812-TP	螺钉M6×16	Screw M6×8	4
54	11435007	236-07302	同步带	Timing belt	1
55	11402004	236-04002	主轴	Main shaft	1
56	11422004		减震橡胶		1

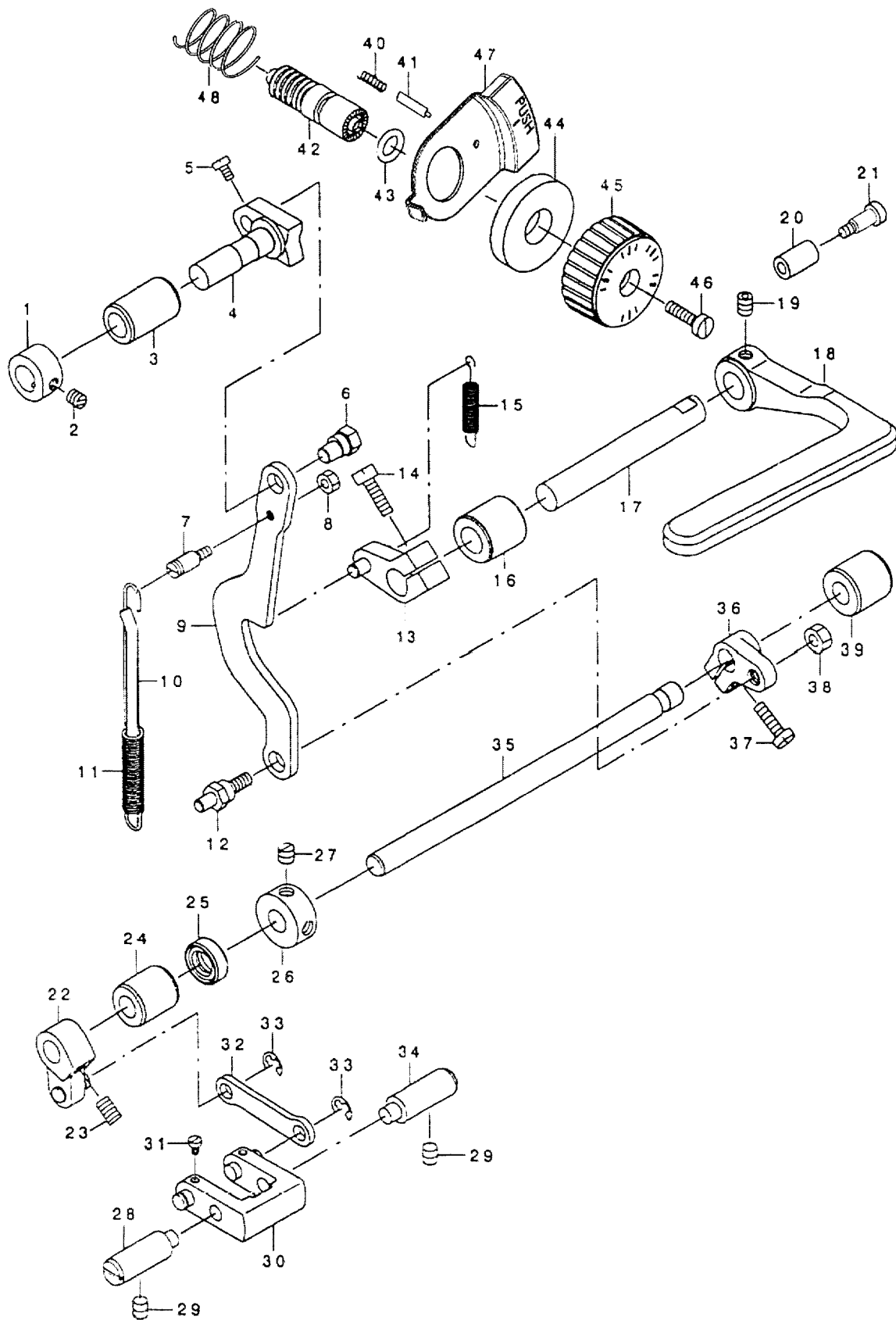
四、抬压脚及松线组件 Hand lifter & Tension release components



四、抬压脚及松线组件 Hand lifter & Tension release components

序号 Ref.No.	件号 PartNo.	参考件号 Ref.Part No.	名称	Description	数量 Amt.
1	10111028	110-71800	压脚扳手	Hand lifter	1
2	101S11010	B1521-555-000	压脚扳手螺钉	Screw	1
	10128002		压脚扳手螺钉垫圈		1
3	001004	R0-0371801-00	压脚扳手轴O形圈4×1.8	Rubber ring	1
4	1041000200	229-08552	压脚扳手凸轮分部件	Hand lifter cam asm.	1
5	101S20001	110-06509	前杠杆螺纹销	Link shaft	2
	10128016		螺纹销橡胶垫圈(薄)		1
6	1140500300	236-09357	膝提拉杆组件	Lifting lever connect rod asm.	1
7	H05006	RE-0500000-K0	挡圈5	E-ring	1
8	11405004	236-09308	抬压脚拉杆	Lifting lever connect rod	1
9	S05011	SM-6040602-TP	螺钉M4×6	Screw M4×6	1
10	1140500500	236-09456	抬压脚前杠杆	Lifting lind compl	1
11	11412014	236-09605	平板	Plate	1
12	H05006	RE-0500000-K0	挡圈5	E-ring	1
13	11412017	229-08008	压脚升降板	Lifting plate	1
14	H05006	RE-0500000-K0	挡圈5	E-ring	2
15	101S20004	110-07101	抬压脚拉杆螺钉	Hinge screw	1
16	11405006	236-09704	抬压脚后杠杆	Lifting lever link	1
17	101S20003	SD-0720331-SP	后杠杆轴位螺钉	Hinge screw	1
18	11405007	236-09803	连接杆	Connecting rod	1
19	11411007	236-09902	连接柱导向板	Connecting rod guide	1
21	101S11001	SS-4120915-SP	后窗板螺钉	Screw SM3/16"×28 L=9	1
22	114S12001	236-10801	螺钉	Screw	1
23	114S16005	NS-6150310-SP	螺母	Nut SM15/64"×28	1
24	11212008	110-45408	松线导管压板	Wire holder plate	2
25	101S11025	SS-4110715-SP	螺钉SM11/64"×40 L=7	Screw SM11/64"×40 L=7	2
26	11512004	236-26351	松线顶板组件	Thread tension release wire	1
27	101S20002	110-18108	松线顶板螺纹销	Tenstion release shaft	1
	10128015		螺纹销橡胶垫圈(厚)		2
28	H05003	RE-0500000-K0	挡圈5	E-ring	3
29	H05003	RE-0500000-K0	挡圈5	E-ring	2
30	11427009	236-26807	松线顶板复位簧	Tenstion release return spring	1
31	11413006	236-26906	松线导管支架	Wire holder bracket	1
32	101S11001	SS-4120915-SP	螺钉SM3/16"×28 L=9	Screw SM3/16"×28 L=9	2
33	114S30005	236-09209	调压螺钉	Presser spring regulator	1
34	114S16002	11071701	调压螺母	Nut	1
35	11405008	236-10306	调压导杆	Presser guide bar	1
36	11427007	B1505-227-000-A	调压弹簧	Presser spring	1
37	11404006	236-10108	压杆导架	Presser guide bar bracket	1
38	11412018	236-10405	导架板	Guide bracket plate	1
39	13113001	236-09100	缓线勾	Presser bar thread guide	1
40	114S11004	SS-6090620-TP	螺钉SM11/64"×40 L=18	Screw SM11/64"×40 L=18	1
42	11403008	236-09001	压杆套	Bushing	1
43	11402009	236-10207	压杆	Presser bar	1
44	101S11009	SS-7091110-TP	活压脚螺钉	Screw	1
45	1141600300	B1524-012-0BA	压脚组件	Presser foot asm.	1

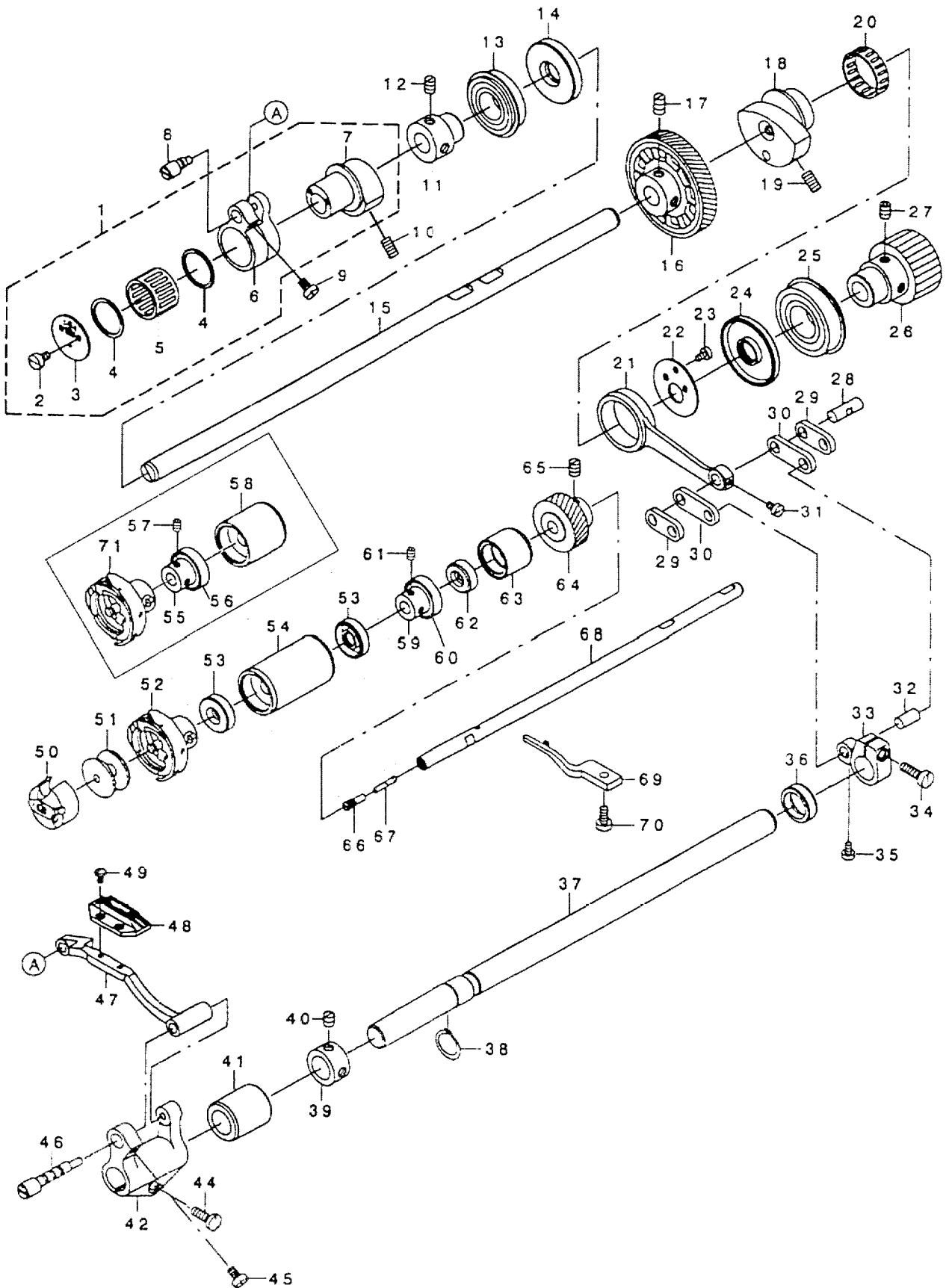
五、送料调节组件 Feed adjust mechanism components



五、送料调节组件 Feed adjust mechanism components

序号 Ref. No.	件号 PartNo.	参考件号 Ref. Part No.	名称	Description	数量 Amt.
1	11408007	CS-111101E-SH	送料调节座挡圈	Collar asm.	1
2	101S15002	SS-8660330-SP	送料调节座挡圈螺钉	Screw	2
3	11403009	236-13508	送料调节器轴套	Adjusting base shaft metal	1
4	11402011	236-13300	送料调节座	Feed adjusting base	1
5	101S11005	SS-6090620-TP	螺钉SM9/64"×40 L=6	Screw SM9/64"×40 L=6	2
6	11402012	236-13409	送料调节销	Feed adjusting pin	1
7	114S30007	101-20004	弹簧悬置螺钉	Screw	1
8	114S16004	NS-6110310-SP	螺母	Nut	1
9	11404013	236-13201	送料摆动杆	Feed adjusting rod	1
10	12921002	236-3007	油管	Tube	1
11	11427011	236-14001	送料调节弹簧	Feed adjusting spring	1
12	11426007	236-13102	后送料调节轴曲柄螺栓	Feed changing shaft arm B pin	1
13	1140401400	236-13953	倒送料曲柄组件	Feed lever arm asm.	1
14	101S11016	SS-6121410-SP	送料曲柄螺钉	Screw	1
15	11427012	236-14308	送料杠杆拉簧	Feed lever spring	1
16	11403010	236-13805	送料扳手轴套	Feed lever shaft metal	1
17	11402013	236-13706	送料杠杆轴	Feed lever shaft	1
18	301725	236-13607	倒送料扳手	Feed lever	1
19	S10009	SM-8060812-TP	螺钉M6×8	Screw M6×8	2
20	11203001	111-00500	倒送料扳手定位套	Reverse feed lever stopper	1
21	112S11002	SS-6121840-SP	送料扳手定位套螺钉	Screw	1
22	1140400900	236-12450-00	前送料调节轴曲柄部件	Feed changing shaft arm asm.	1
23	116S14005	SS-8660810-TP	螺钉	Screw	1
24	11408005	236-12807	倒送料轴后轴套	Metal A	1
25	11422005	236-12609	送料调节轴油封	Feed changing shaft oil seal	1
26	11408004	236-12708	拾牙轴挡圈	Thrust collar	1
27	101S15002	SS-8660810-TP	送料轴挡圈螺钉	Screw	2
28	10126010	110-08802	调节摆动板座销钉A	Adjusting link fulcurn shaft A	1
29	101S15010	SS-8151150-TP	JK5550-0615螺钉	Screw	2
30	1140400700	236-12054-00	调节摆动座部件	Adjusting link asm.	1
31	101S11005	SS-6090620-TP	螺钉SM9/64"×40 L=6	Screw SM9/64"×40 L=6	2
32	11405009	236-12104	调节摆动座连接板	Adjusting link connecting link	1
33	H05003	RE-0500000-K0	挡圈5	E-ring	2
34	11426005	236-12302	调节摆动板座轴螺柱	Adjusting link fulcurn shaft B	1
35	11402010	236-12500	送料调节轴	Feed changing shaft	1
36	11404012	236-13003	倒送料调节轴曲柄	Feed changing shaft arm, B	1
37	101S11016	SS-6121410-SP	送料曲柄螺钉	Screw	1
38	114S16005	NS-6110310-SP	螺母	Nut	1
39	11408006	236-12906	倒送料轴前轴套	Metal, B	1
40	11427034	B1148-555-000	送料距锁合簧	Spring	1
41	11426022	110-52701	止动销	Pin	1
42	10426006	229-11804	送料调节螺柱	Feed regulator screw	1
43	10122016	RO-0922702-00	送料调节螺钉O形圈	Rubber ring	1
44	11422007	D2468-555-B00	橡皮塞		1
45	11411039	110-71909	送料距旋钮	Feed dial	1
46	101S11022	SS-6121860-SP	送料距旋钮螺钉	Screw	1
47	11412079		按键		1
48	11427035		针距按键簧		1

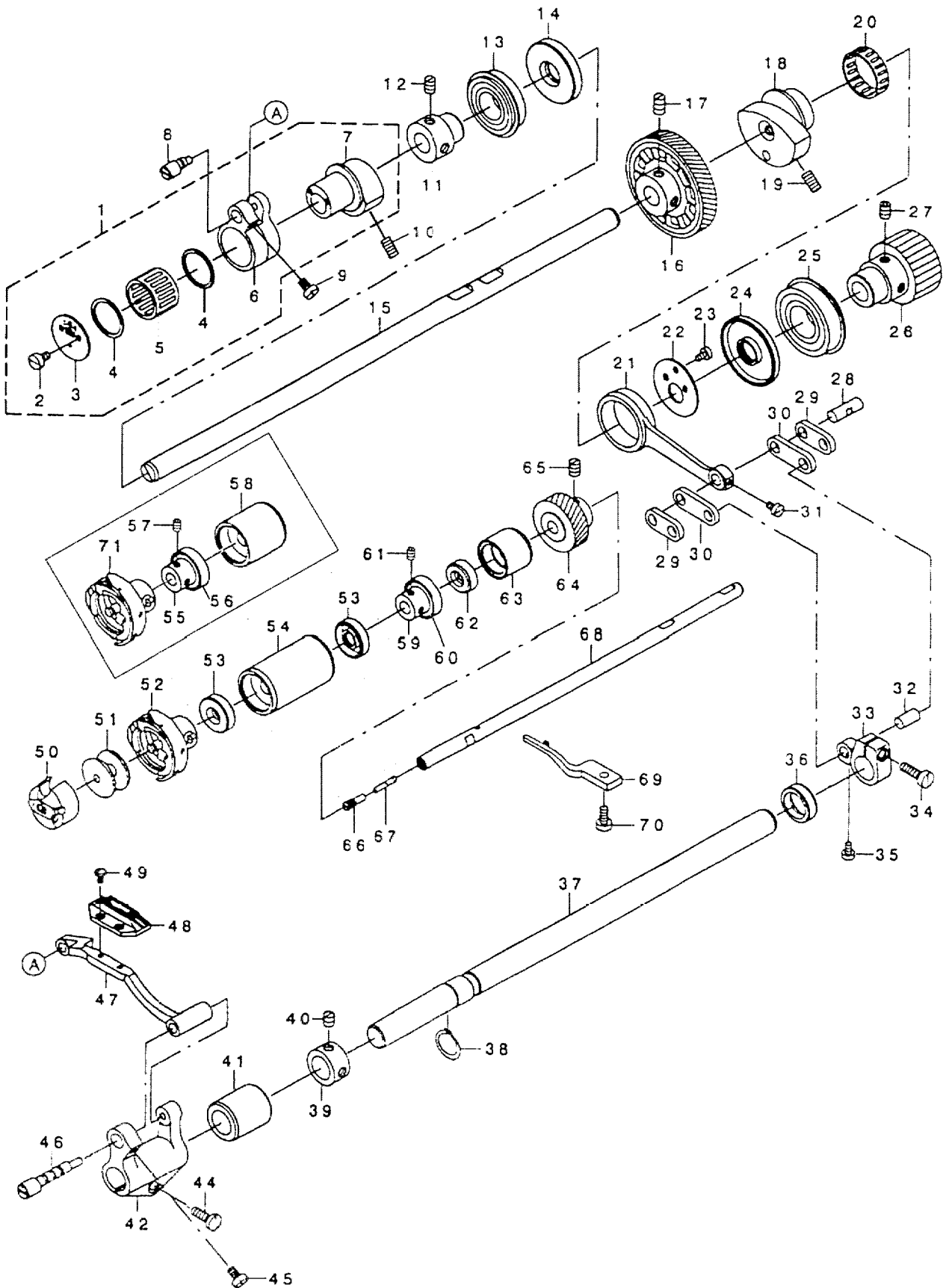
六、送料及钩线驱动组件 Machine frame & miscellaneous cover components



六、送料及钩线驱动组件Machine frame&miscellaneous cover components

序号 Ref.No.	件号 PartNo.	参考件号 Ref.Part No.	名称	Description	数量 Amt.
1	1141000500		抬牙凸轮组件	Feed driving cam asm.	1
2	101S11005	SS-6090620-TP	螺钉SM9/64"×40 L=6	Screw SM9/64"×40 L=6	2
3	11412024	236-18309	送料驱动盖板	Feed reiving cam plate	1
4	11403012	236-18101	抬牙曲柄轴衬套	Feed driving cam thrust bush	2
5	B08005	SB-3200006-0A	滚针轴承K20×24×17	Bearing	1
6	11404018	236-18200	送料驱动基座臂	Feed friving base arm	1
7	11410006	236-18002	送料驱动凸轮	Feed driving cam	1
8	11402016	236-18408	送料驱动偏心轴	Feed driving base shaft	1
9	101S11025	SS-7110740-TP	螺钉SM11/64"×40 L=7	Screw SM11/64"×40 L=7	1
10	101S15010	SS-8151150-TP	螺钉	Screw	2
11	11403013	236-18606	送料驱动轴轴承套	Bearing support	1
12	101S15007	SS-8660810-TP	螺钉	Screw	2
13	B01010	SB-1170004-00	滚针轴承6003	Bearing	1
14	1142201000	236-18705	抬牙轴前油封	Oil seal	1
15	11402017	236-18507	抬牙轴	Feed driving shaft	1
16	1142500100	236-20503	大齿轮组件	Gear, large asm	1
17	101S15007	SS-8660810-TP	螺钉SM1/4"×40 L=8	Screw SM1/4"×40 L=8	2
18	11410004	236-16006	送料摇杆凸轮	Feed rocker cam	1
19	101S15010	SS-8151150-TP	螺钉	Screw	2
20	B08004	B4123-522-00A	滚针K25×29×10	Needle rollar	1
21	11405010	236-16105	送料摇杆连杆	Needle rocker rod	1
22	11412021	236-16204	送料摇杆凸轮盖板	Feed rocker cam plate	1
23	101S11005	SS-6090620-TP	螺钉SM9/64"×40 L=6	Screw SM9/64"×40 L=6	2
24	1142201200	236-18804	抬牙轴后油封	Oil seal	1
25	B10003	SB-1200010-00	轴承6004ZZN	Bearing	1
26	11435009	236-07203	下同步齿轮	Lower sprocket	1
27	S10009	SS-8660810-TP	螺钉M6×8	Screw M6×8	2
28	11426010	110-09206	短摆动板连接销	Walking foot pin	1
29	10409005	236-16303	送料短摆动板	Connecting link, A	2
30	400094	236-16402	送料长摆动板	Connecting link ,B	2
31	101S11005	SS-6090620-TP	螺钉SM9/64"×40 L=6	Screw SM9/64"×40 L=6	1
32	10126011	110-09107	送料曲柄销	Walking foot pin	1
33	11404017	236-16501	送料曲柄部件	Feed rocker arm asm	1
34	101S11016	SS-6121610-SP	送料曲柄螺钉	Screw	1
35	101S11005	SS-6090620-TP	螺钉SM9/64"×40 L=6	Screw SM9/64"×40 L=6	1
36	1142200800	228-88002	油封组件	Oil sealasm.	1
37	11402014	236-16600	送料轴	Feed rocker shaft	1
38	H03001	RC-0150001-KP	送料轴轴用挡圈15	Retaining ring	1
39	12508002	229-04106	送料轴挡圈	Main shaft thrust collar	1
40	101S15002	SS-8660810-TP	上轴挡圈螺钉	Screw	2
41	11403011	236-16709	送料轴套筒	Feed rocker shaft metal	1
	11503001		送料轴套筒(8991用)	Feed rocker shaft metal(for 8991)	1
42	11407002	236-16808	牙架座	Feed rocker bade arm	1

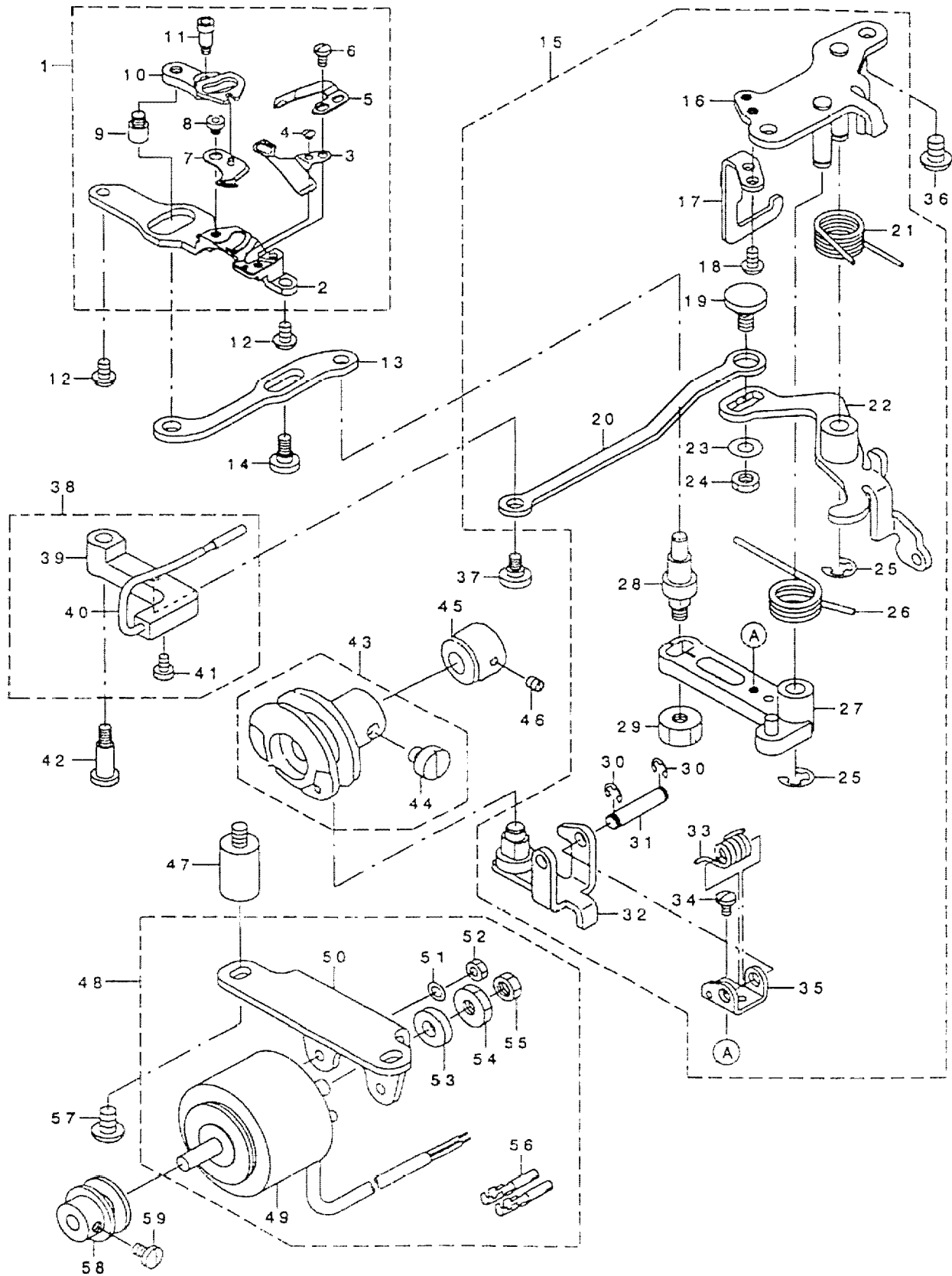
六、送料及钩线驱动组件 Machine frame & miscellaneous cover components



六、送料及钩线驱动组件Machine frame&miscellaneous cover components

序号 Ref.No.	件号 PartNo.	参考件号 Ref.Part No.	名称	Description	数量 Amt.
44	101S11016	SS-7121410-TP	牙架座螺钉	Screw	1
45	101S11025	SS-7110740-TP	螺钉SM11/64"×40 L=7	Screw SM11/64"×40 L=7	1
46	11402015	236-16907	送料摇杆偏心轮	Feed rocker base shaft	1
47	400678	236-17004	牙架	Feed base	1
48	11214001	B1613-012-100	送料牙	Feed dog	1
49	101S11018	SS-4080620-TP	送料牙螺钉	Screw	2
50	11218504	110-38759	梭壳	Bobbin case asm.	1
51	10118003	B9117-552-A00	梭心	Bobbin	1
52	11418003	228-90404	广濑中厚料旋梭	Hook asm.	1
53	1142201400	236-20206	下轴前轴套油封	Oil seal	1
54	11403014	236-20156	下轴前套筒	Hook driving shaft metal compl	1
54	11503014		微油下轴前套筒		1
55	11403016	228-89851	下轴前轴承套	Bearing support	1
56	11424001		6901轴承	Bearing	1
57	113S14002		螺钉	Screw	1
58	11403015		旋梭轴前轴套	Hook driving shaft metal compl	1
59	11403016	236-20354	下轴前轴承套	Bearing support	1
60	11424001		6901轴承	Bearing	1
61	113S14002	SS-7110551-SP	螺钉SM11/64"×40 L=4.5	Screw SM11/64"×40 L=4.5	2
62	1142201600	236-20404	油封组件	Oil seal asm.	1
63	11403018	228-90008	旋梭轴后轴套	Hook shaft rear metal	1
63	11503018		旋梭轴后轴套		1
64	11425002	236-20701	斜齿轮A	Gear, small	1
65	101S15007	SS-8660810-TP	螺钉SM1/4"×40 L=8	Screw SM1/4"×40 L=8	2
66	101S30005	B1808-552-000	下轴限油螺钉	Oil seal screw	1
67	11423003		下轴限油芯	Oil wick	1
68	11402019	236-20008	下轴	Hooking driving shaft	1
	11502002		下轴 (8991用)	Hooking driving shaft (for 8991)	1
69	11412025	110-38809	旋梭定位钩	Bobbin case holder	1
70	101S11011	SS-6111010-TP	旋梭定位钩螺钉	Screw	1
72	1141000300		送料凸轮组件		1
73	11403033		下主动轴油封后套		1
74	11403034		下主动轴油封中套		1
75	11503038		送料轴后套		1
76	11522001		油封		1

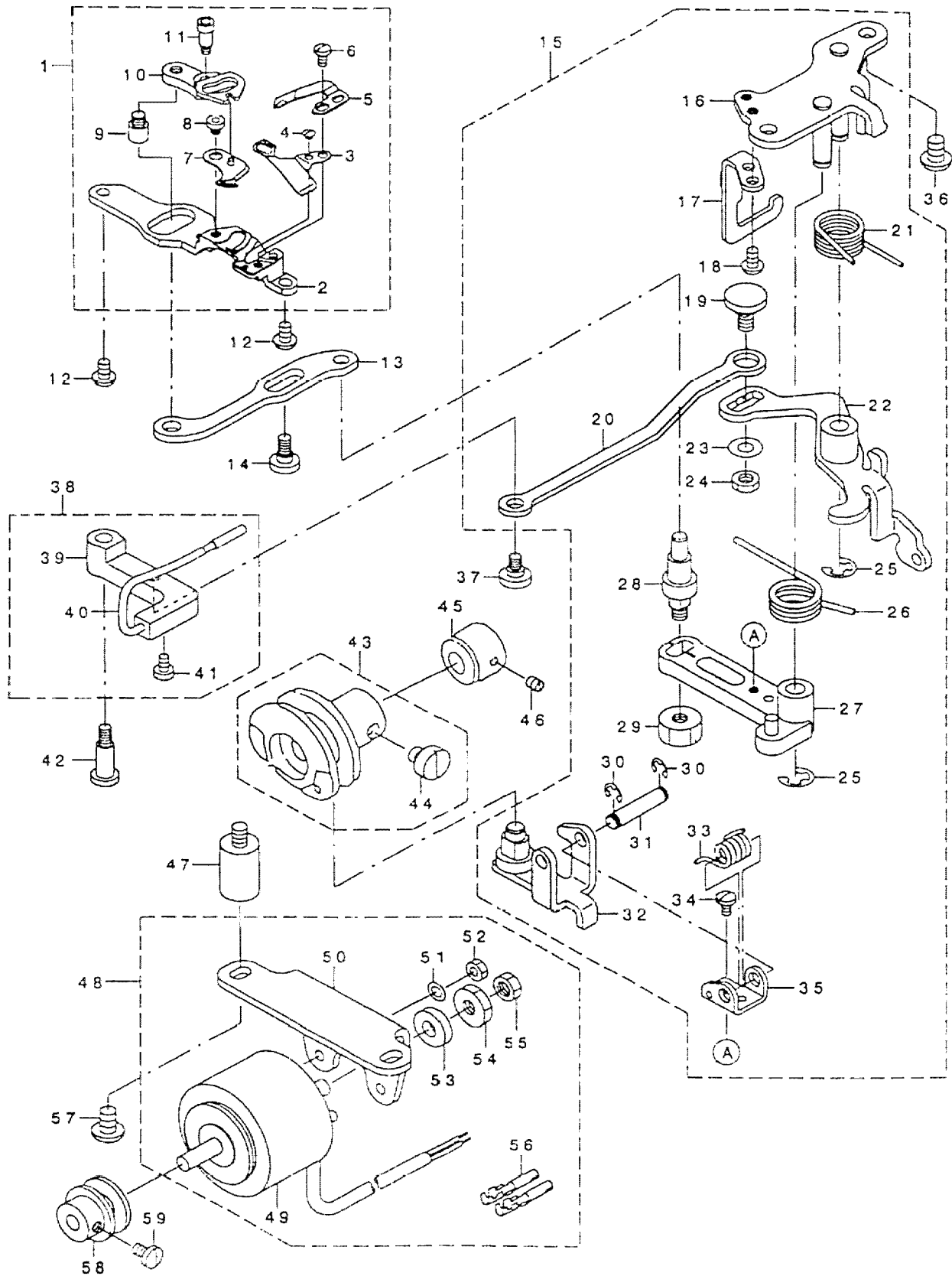
七、切线组件 (8990) Thread trimmer components(8990)



七、切线组件 (8990) Thread trimmer components(8990)

序号 Ref. No	件号PartNo.	参考件号 Ref. Part No.	名 称	Description	数量 Amt.
1	1141900200	236-23051	切线刀组件	Knife unit	1
2	11419003	236-23002	刀架	Knife installing base	1
3	11419004	113-13103	导线片	Thread guide for knife	1
4	112S11005	SS-2060210-SP	螺钉SM3/32"×56 L=2.3	Screw SM3/32"×56 L=2.3	1
5	11219003	D2406-555-D0H	固定刀	Cornter knife	1
6	112S11006	SS-4080620-TP	螺钉SM1/8"×44 L=6	Screw SM1/8"×44 L=6	2
7	11219002	110-40052	活动刀	Moring knife asm.	1
8	112S13001	110-40508	活刀螺钉	Moring knife hinge screw	1
9	11426014	110-40409	止动销	Pin	1
10	11204001	236-23903	活动刀曲柄	Forked base for knife	1
11	112S20001	SD-0460703-TP	螺钉销 D=4.6 L=7	Hinge screw D=4.6 L=7	1
12	101S11011	SS-6111010-TP	旋梭定位钩螺钉	Screw	2
13	11433006	236-24000	活动刀连杆	Moving knife link	1
14	114S20002	SD-0600321-SP	轴位螺钉	Screw	1
15	1141900500	236-23168	切线主动组件	Thread trimmer driving unit	1
16	1141202700	236-23556	剪线驱动座组件	Base plate asm.	1
17	11412029	236-23804	挡板	Driving arm stopper	1
18	101S11025	SS-7110740-TP	螺钉SM11/64"×40 L=7	Screw SM11/64"×40 L=7	2
19	112S30003	110-42306	挡线器连杆连接螺钉	Screw	1
20	11405011	236-23705	挡线连杆	Picker link	1
21	11427020	110-41704	剪线离合复位弹簧	Clutch spring	1
22	1141202500	236-23358	剪线离合架组件	Clutch plate asm.	1
23	W02004	WP-0621016-SH	垫圈6	Wadher 6	1
24	112S16004	NS-6150310-SP	螺母 SM15/64"×28	Nut SM15/64"×28	1
25	H05009	RE-0600000-K0	开口挡圈	E-ring	2
26	11427019	110-43700	切线复位弹簧	Roller return spring B	1
27	1140401900	236-23150	剪线驱动曲柄组件	Knife driving arm asm.	1
28	11430005	236-23200	切线连杆连接螺钉	Moving knife link pin	1
29	112S16004	NS-6150810-SP	螺母 SM15/64"×28	Nut SM15/64"×28	1
30	H05013	RE-0400000-K0	开口挡圈	E-ring	2
31	11426013	110-41407	跳板销	Roller fulcrum shaft	1
32	11212021	110-40953	离合跳板组件	Roller arm asm.	1
33	11427018	110-41506	跳板簧	Roller return spring	1
34	112S11009	SS-7090610-SP	螺母 SM9/64"×40 L=6	Screw SM9/64"×40 L=6	1
35	11412030	110-41308	托板支持架	Roller arm asm.	1
36	101S11026	SS-4150915-SP	螺母 SM15/64"×28 L=9	Screw SM15/64"×28 L=9	2
37	114S20003	SD-0630275-SP	轴位螺钉	Screw	1
38	1140100300	236-24158	剪线下挡线组件	Picker arm asm.	1
39	11401004	236-24109	挡线器座	Picker arm	1
40	11412031	236-24257	挡线	Thread take-up picker asm.	1
41	101S11005	SS-6111010-TP	螺钉	Screw	2
42	114S20004	SD-0641452-TP	轴位螺钉	Screw	1
43	11210001	110-42850	剪线凸轮	Thread trimmer cam asm.	1

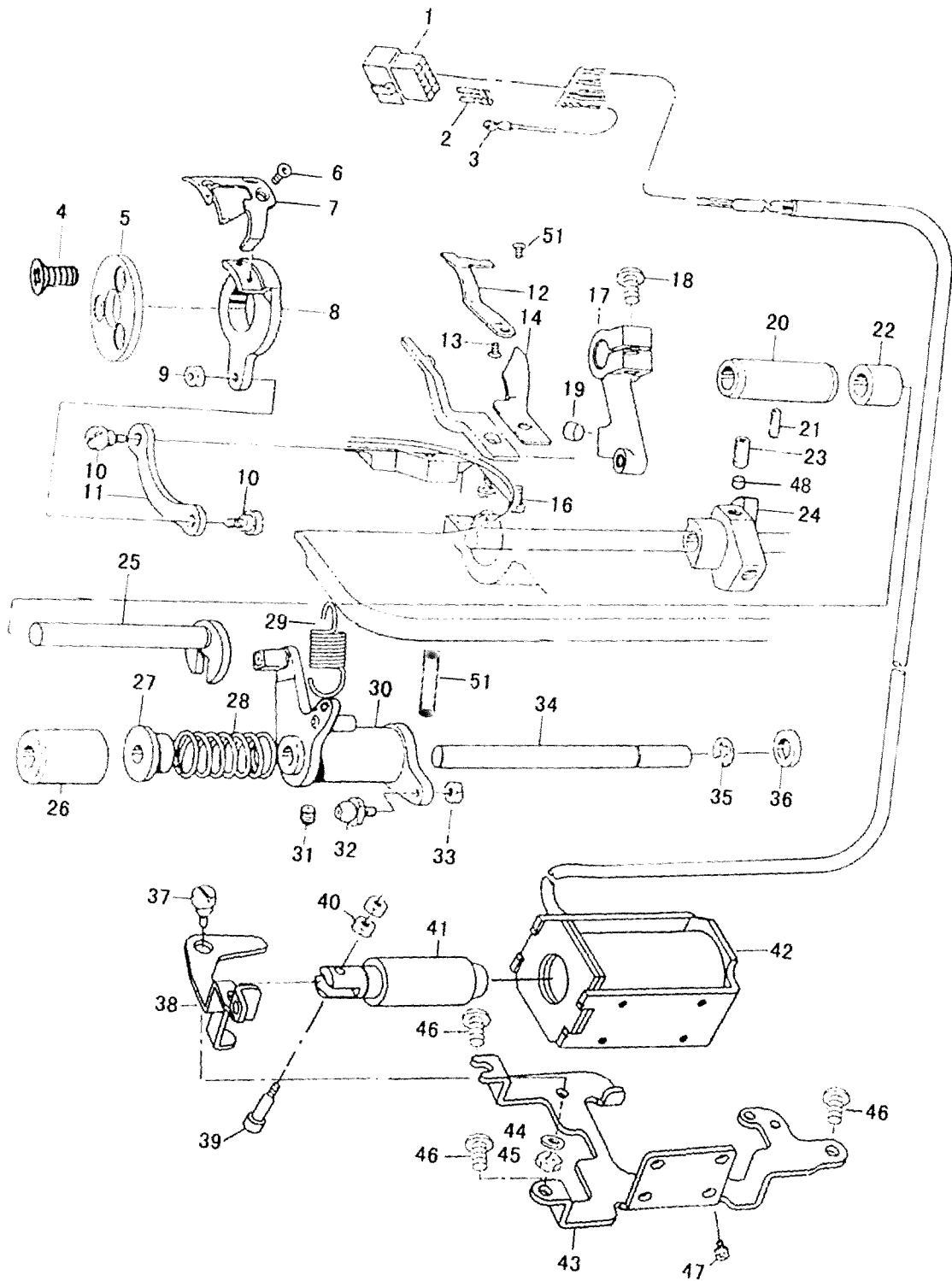
七、切线组件 (8990) Thread trimmer components(8990)



七、切线组件 (8990) Thread trimmer components (8990)

序号 Ref. No	件号PartNo.	参考件号 Ref. Part No.	名 称	Description	数量 Amt.
45	11208001	110-42959	挡圈	Cam collar asm.	1
46	112S15001	SS-8110520-TP	螺钉 SM11/64"×40 L=4.5	Screw SM11/64"×40 L=4.5	1
47	114S30008	D8233-241-E00	支架支撑	Belt cover support	2
48	1123000600	236-24356	剪线电磁铁组件	Solenoid asm.	1
49	11430007	236-24307	电磁铁	Solenoid	1
50	11412032	236-24406	支架	Solenoid base	1
51	11428005	WP-0450000-SD	垫圈4.5×0.8×0.5	Wadher 4.5×0.8×0.5	2
52	N01001	NH-604000-SN	螺母M4	Nut M4	2
53	11222005	110-43304	电磁铁橡皮	Solenoid rubber	1
54	114S16006	NS-66600410-SH	螺母	Nut	1
55	114S16007	NS-66600430-SP	螺母SM1/4"×40	Nut SM1/4"×40	1
56	11230005	HK-0346400-0B	电线插针	Pim contact	2
57	101S11026	SS-4150915-SP	螺钉 SM15/64"×28 L=9	Screw SM15/64"×28 L=9	2
58	11408009	236-24505	驱动轮	Driving block	1
59	101S11025	SS-7110740-TP	螺钉	Screw	1

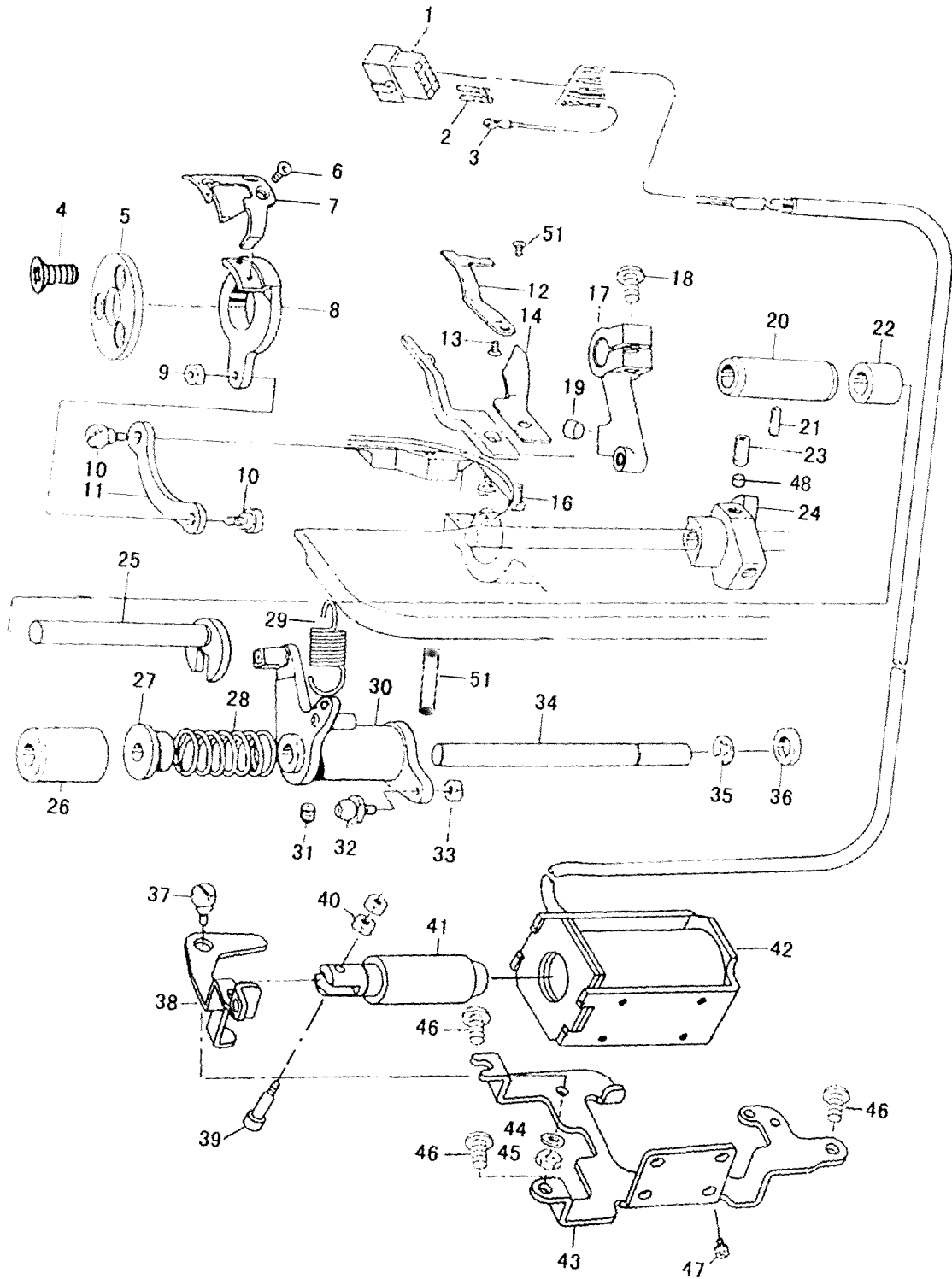
七、切线组件 (8991) Thread trimmer components



七、切线组件 (8991) Thread trimmer components

序号 Ref.No.	件号 PartNo.	参考件号 Ref.Part No.	名称	Description	数量 Amt.
1	11230004		接线器	Housing 14 P	1
2	11230005		屯线插针	Pin contact	1
3	11212025		地线接头	Ground wrie asm.	1
4	114S17001		刀架压板螺钉	Screw	3
5	11512001		刀架压板	Partiality shank asm.	1
6	113S17002		活动刀固定螺钉	Screw	2
7	11319003		活动刀 (厚料长槽)	Motorial knife	1
8	11501001		剪线刀架	Knife bracket	1
9	113S16001		螺母	Nut	1
10	113S20001		连杆螺钉	Screw	2
11	11505001		连杆	Knife shaft connecting rod	1
12	11319001		定刀	Secant knife	1
13	113S17001		螺钉	Screw	1
14	11312003		护针片	Protect needle patch	1
16	113S11003		螺钉	Screw	1
17	11504001		驱动曲柄	Thread shear rock patch	1
18	S05004		螺钉	Screw	1
19	11511001		驱动曲柄止动块	Positioning block	1
20	11303003		切线轴套	Thread shear cam rock arm assy	1
21	113S14001		螺钉	Screw	1
22	11503005		驱动曲柄轴衬套	Short bush	1
23	116S14005		螺钉	Screw	1
24	11510001		凸轮	Thread shear cam	1
25	11402038		切线凸轮曲柄轴	Thread shear rock arm shaft	1
26	11503004		切刀驱动轴轴套	Thread shear rock arm	1
27	11322002		扭簧端盖	Spring cover	1
28	11327002		弹簧	Spring	1
29	11527001		弹簧	Spring	1
30	1150400200		剪线驱动组件	Thread shear rock arm shaft	1
31	116S14003		针杆曲柄销定位螺钉	Screw	1
32	11324001		滚柱	Rool shaft assy	1
33	113S16001		螺母	Nut	1
34	11302002		轴	Thread shear shaft	1
35	H03006		挡圈	Retaining ring	1
36	11322003		屯磁铁缓冲垫	Magnetic plug cushion mat	1
37	115S20002		轴位螺钉	Plunger arm pin	1
39	115S20003		轴位螺钉	Hinge screw	1
40	114S16008		螺母	Nut	2
41	11530002		屯磁铁芯轴	Reverse feed solenoid plunger	1
42	1153000200		剪线屯磁铁组件	Magnetic plug	1
43	11512002		切线磁铁支架	Magnetic plug cushion mat	1
42	11512002		切线磁铁支架	Magnetic plug cushion mat	1
43	115S20003		轴位螺钉	Hinge screw	1

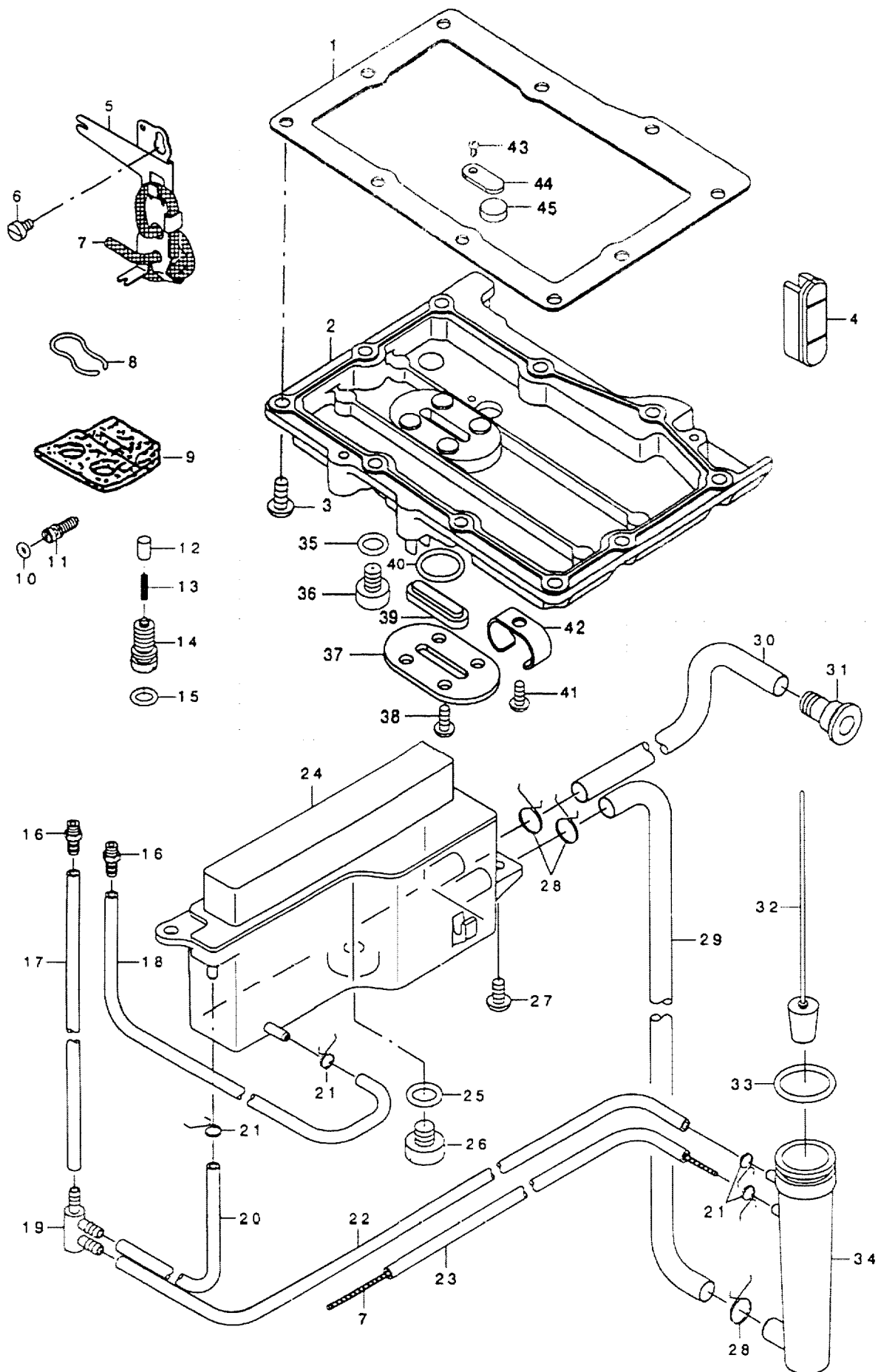
七、切线组件 (8991) Thread trimmer components



七、切线组件 (8991) Thread trimmer components

序号 Ref.No.	件号 PartNo.	参考件号 Ref.Part No.	名 称	Description	数量 Amt.
44	W01009		垫圈	Washer	1
45	115S16001		螺母	Nut	1
46	101S11026		螺钉	Screw	3
47	S04008		螺钉	Screw	4
48	11309030		凸轮顶柱	Pole	2
49	113S15002		定刀调节螺钉		1
50	12921002		维尼龙油管		1

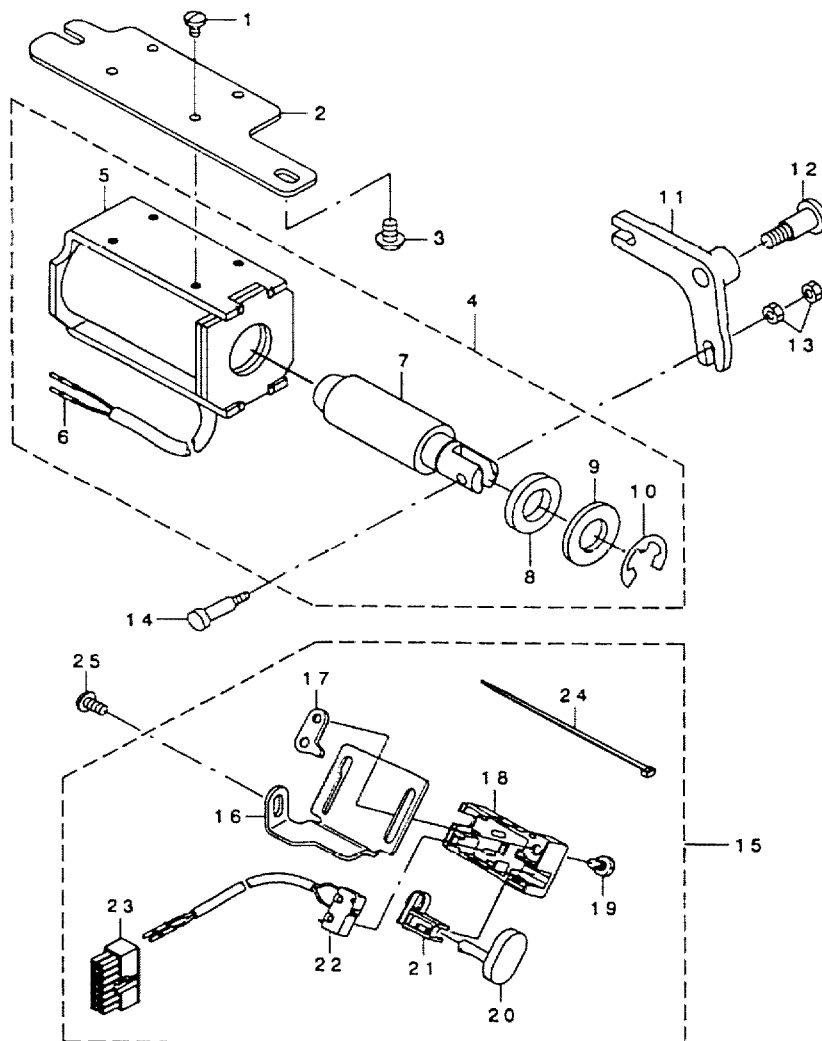
八、润滑组件 Oil lubrication components



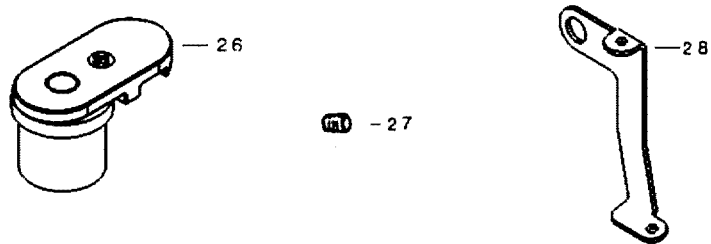
八、润滑组件 Oil lubrication components

序号 Ref.No.	件号 PartNo.	参考件号 Ref.Part No.	名 称	Description	数量 Amt.
1	11422018	236-28100	齿轮箱垫	Gear box packing	1
2	11401005	236-28001	齿轮箱盖	Gear box cover	1
3	101S11016	SS-6121410-SP	送料曲柄螺钉	Screw SM3/16"×28 L=10	10
4	11411015	236-29108	油窗	Oil sight window	1
5	11412034	236-29207	针杆油线板	Oil wick support	1
6	114S11011	SS-6090620-TP	齿轮箱盖螺钉	Screw SM9/64"×40 L=6	1
7	20523003	CQ-2000000-01	油线	Oil wick	1
8	11429002	B3529-226-000	回油毡夹	Oil felt presser	1
9	10423002	B3528-552-000	回油毡	Oil return felt	1
10	001038		O型圈3.5×2.4	Rubber ring	1
11	114S30015		油量调节螺丝	Oil adjusting screw	1
12	10526003	236-28803	柱塞	Plunger	1
13	11427021	236-28902	柱塞弹簧	Plunger spring	1
14	114S30010	236-29009	插座螺钉	Screw	1
15	001003	R0-0681901-00	O型圈	Rubber ring	1
16	114S30009	236-29801	润滑连接器	Lubrication connector	2
17	12921006		油管	Tube	1
18	12921006		油管	Tube	1
19	11436005	236-29504	塑料三通管	Distributon	1
20	11421002	236-30007	油管	Tube	1
21	11412055	236-29306	油管卡簧	Pipe stopper A	4
22	101S11007		螺钉	Screw	1
23	11412056		油管压板	Tube holder	1
24	1141101100	236-28555	油箱组装图	Oil tank asm.	1
25	10128016		垫片	Washer	1
26	114S11007	SS-6700710-SH	油箱螺钉	Screw SM5/16"×24 L=7	1
27	101S11001	SS-4120915-SP	后窗板螺钉	Screw SM3/16"×28 L=9	1
28	11412054	236-29405	油管卡簧	Pipe stopper B	3
29	11421006		油管	Tube	1
30	11421006		油管	Tube	1
31	11436006	236-29603	油口	Oil melt	1
32	11431005		油标	Floater asm.	1
33	10122019	R0-1952401-00	油窗O型圈	Rubber ring	1
34	11411014	236-28704	油量指示箱	Floater case	1
35	10128015		O型圈	Rubber ring	1
36	114S11011		齿轮箱盖螺钉	Gear box cover screw	1
37	S04S12057		油窗压板	Oil sight window holder	1
38	101S11007		螺钉	Screw	1
39	11411030		油窗	Oil sight window	1
40	001003		O型圈	Tube	1
41	101S11007		螺钉	Screw	1
42	11412056		油管压板	Tube holder	1
43	101S11018		螺钉	Screw	1
44	11412058		磁铁压板	Magnet holder	1
45	11401020		磁铁	mangnet	1

九、自动倒回缝组件 Automatic reverse feed components



九、（一）小鸟巢电磁铁组件（8990DN-3SS）（8990DN-4SS）



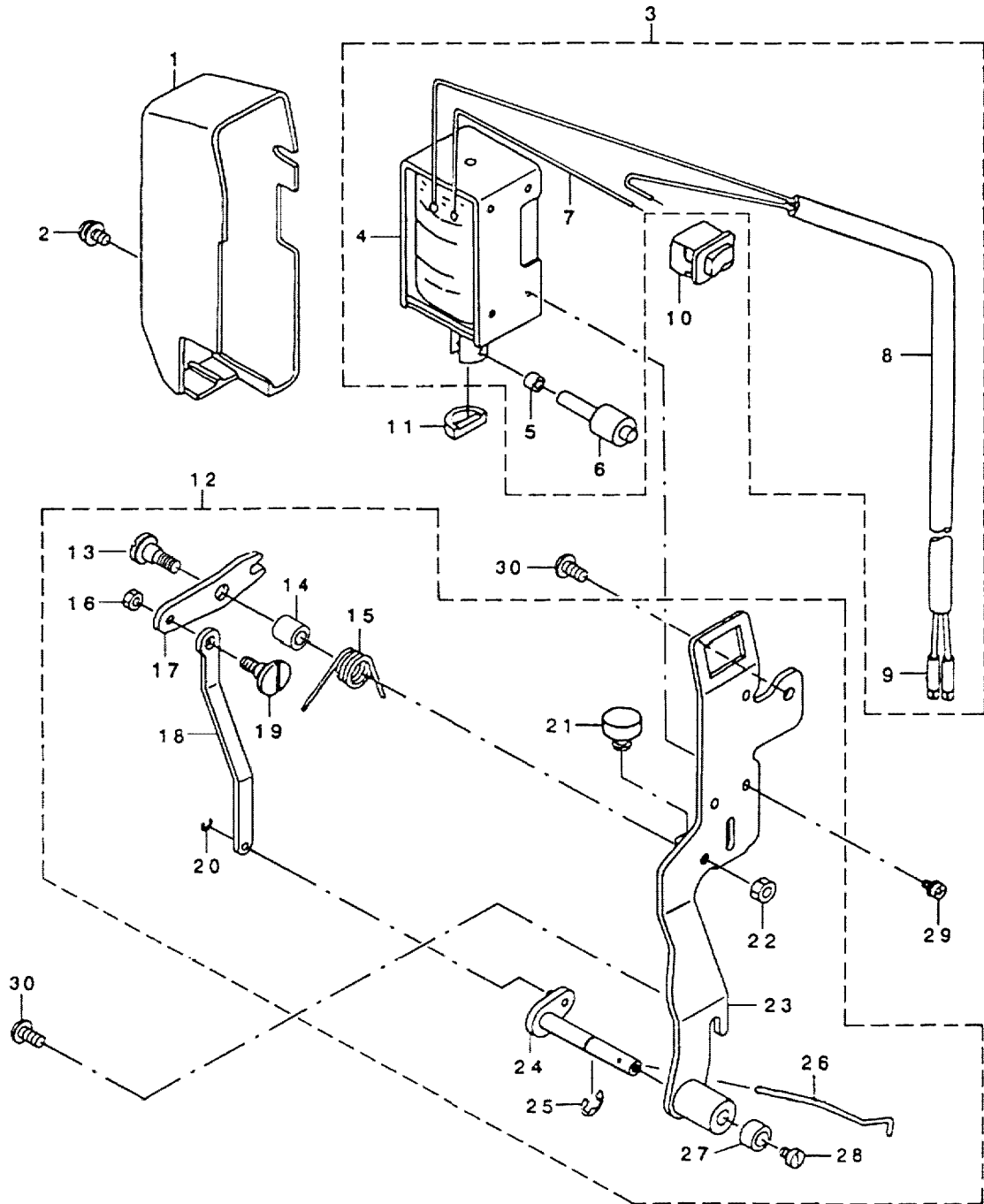
九、自动倒回缝组件 Automatic reverse feed components

序号 Ref.No.	件号 PartNo.	参考件号 Ref.Part No.	名 称	Description	数量 Amt.
1					
2	11412035	236-31203	倒送料电磁铁挂板	Reverse feed solenoid base	1
3	101S11026	SS-4150915-SP	螺钉SM15/64"×28 L=9	Screw SM15/64"×28 L=9	2
4	1143000800		自动倒送料电磁铁组件	Reverse feed solenoid base asm.	1
5	11430009	236-31005	自动倒送料电磁铁	Reverse feed solenoid	1
6	11430011	HK-0346400-0B	插针	Pin contact	2
7	11430022	236-31104	自动倒送料电磁铁电磁杆	Reverse feed solenoid plunger	1
8	11222006	D2468-555-B00	橡皮垫圈	Rubber plunger	1
9	W02004	WP-1703001-SC	垫圈16	Washer	1
10	H05014	RE-1200000-K0	开口挡圈	E-ring	1
11	11404021	236-31302	倒送料臂	Reverse feed arm	1
12	114S20006	SD-0951501-SP	铰链螺钉	Screw	1
13	114S16008	NS-6110350-SP	螺母	Nut	2
14	114S20005	113-14408	活塞销	Plunger arm pin	1
15	1143300200	236-31757	自动倒送料开关组件	Reverse feed switch asm.	1
16	11412036	236-32003	倒送料开关支架	Reverse feed switch base	1
17	11412037	236-32102	倒送料开关支架导向板	Reverse feed switch base guide	1
18	11411016	236-31708	倒送料开关护罩	Reverse feed switch cover	1
19	101S11025	SS-7110740-TP	螺钉SM11/64"×40 L=7	Screw SM11/64"×40 L=7	1
20	11411017	236-31807	倒送料开关按钮	Reverse feed switch shaft	1
21	11411018	236-31906	倒送料开关跳板	Reverse feed switch support	1
22	11430013	236-32250	自动倒送料开关	Reverse feed cord asm.	1
23	11430014	HK-03464101-40	接线器	Housing 14P	1
24	11211005	EA-9500B01-00	电线卡箍	Cable band	1
25	101S11001	SS-4120915-SP	螺钉SM3/16"×28 L=9	Screw SM3/16"×28 L=9	1

九、（一）小鸟巢电磁铁组件（8990DN-3SS）（8990DN-4SS）

序号 Ref.No.	件号 PartNo.	参考件号 Ref.Part No.	名 称	Description	数量 Amt.
26	1143002600		夹线电磁铁组件	Solenoid components	1
27	S10008		螺钉	Screw	1
28	11413013		左线勾		1

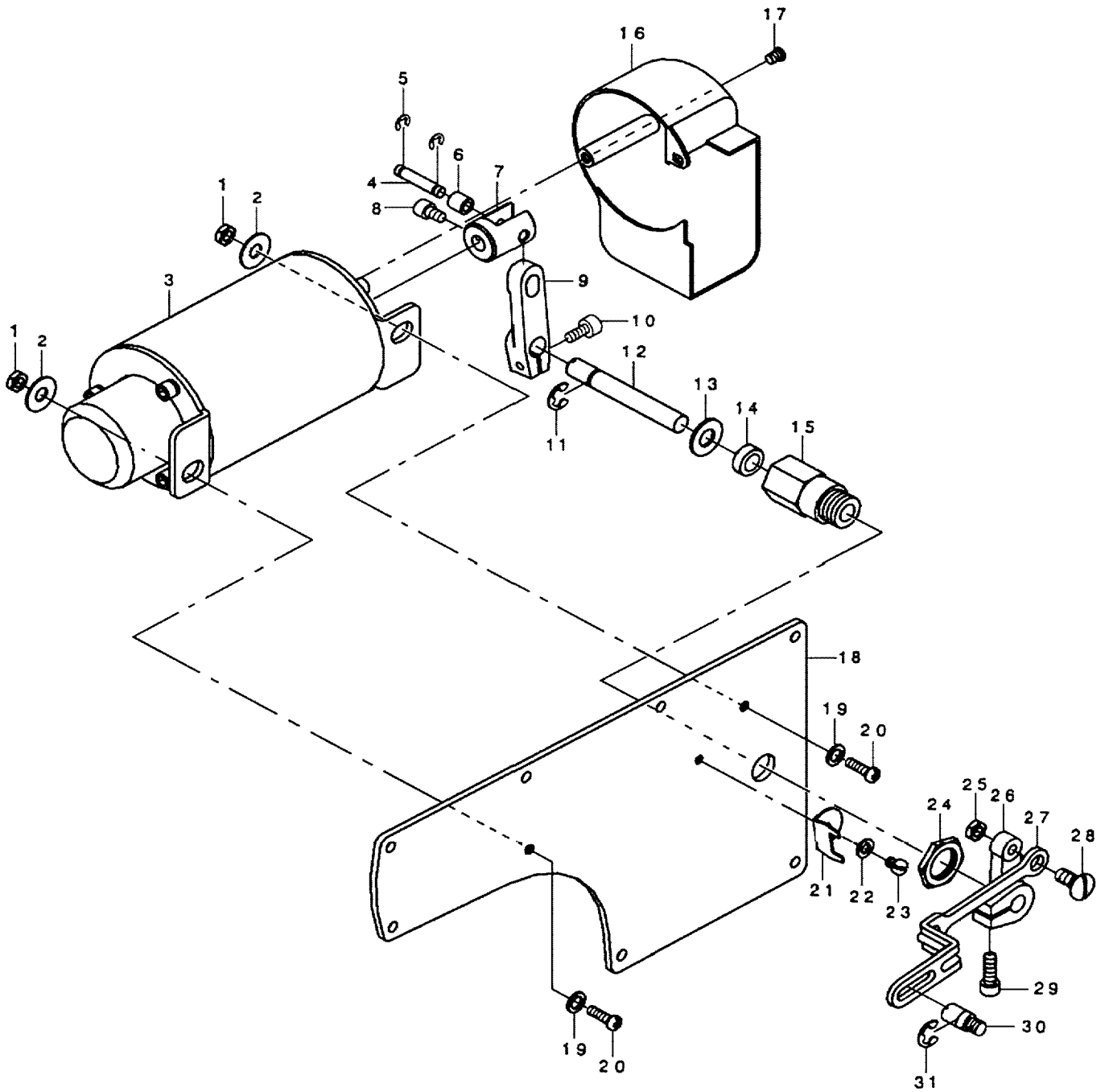
十、自动挑线组件 Automatic wiper components



十、自动挑线组件 Automatic wiper components

序号 Ref.No.	件号 PartNo.	参考件号 Ref.Part No.	名称	Description	数量 Amt.
1	11211003	110-72709	罩壳	Wiper cover	1
2	S04008	SL-4030621-SS	螺钉M3×6	Screw M3×6	1
3	1123001000		拨线电磁铁组件	Wiper solenoid asm.	1
4	11230010	111-10301	拨线电磁铁	Wiper solenoid	1
5	11408012	111-11804	滑动衬套	Wiper link collar	1
6	11426015	111-12000	拨线传动销	Wiper solenoid pin	1
7	11430019	HW-2003900-00	电线	Electric wire	1
8	11430020	HW-5000700-00	电线	Electric wire	1
9	11430018	HK-0346400-0B	电线插针	Pim contact	2
10	11230011	HA-0005900-00	开关	Power switch	1
11	11222008	111-10509	橡皮垫	Wiper rubber B	1
12	1141206200		拨线电磁铁支架组件	Wiper base asm.	1
13	114S20008	SD-0650321-TP	轴位螺钉	Screw D=6.5 H=3.2	1
14	11408010	111-10707	复位衬套	Wiper hinge screw collar	1
15	11427022	111-10806	复位弹簧	Wiper spring	1
16	114S16009	NS-6090310-SP	轴位螺钉螺母	Nut SM9/64"×40	1
17	11412036	111-10608	拨线传动板	Wiper link A	1
18	11405012	236-33209	拨线连杆	Wiper link B	1
19	114S20007	111-11507	轴位螺钉	Wiper link B, hinge screw	1
20	H05019	RE-0250000-K0	开口挡圈2.5	E-ring	1
21	11230010	111-10400	橡皮垫块	Wiper rubber A	1
22	114S16010	NS-6110310-SP	轴位螺钉螺母	Nut SM11/64"×40	1
23	11412036	236-33159	拨线电磁铁支架	Wiper base	1
24	1140402200	236-33357	拨线驱动轴组件	Wiper shaft asm.	1
25	H05006	RE-0500000-K0	挡圈5	E-ring	1
26	11413008	111-11606	拨线钩	Wiper	1
27	11408011	111-11309	拨线钩挡圈	Bradket installing collar	1
28	114S11005	SS-6090540-SP	螺钉SM9/64"×40 L=5	Screw SM9/64"×40 L=5	1
29	S04008	SL-4030641-SE	螺钉M3×6	Screw M3×6	3
30	114S30011	SS-4120915-SP	螺钉SM3/16"×28 L=9	Screw SM3/16"×28 L=9	2

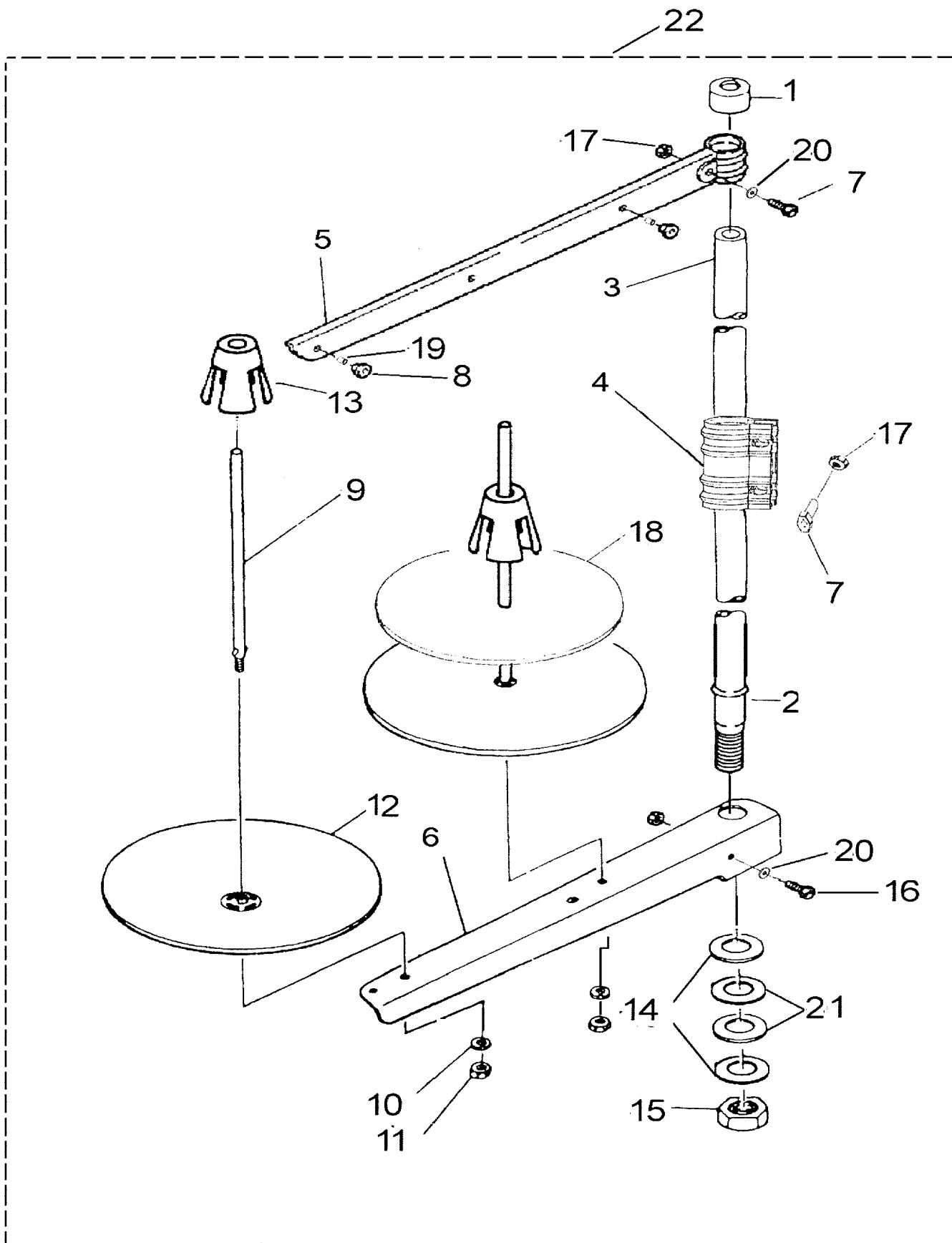
十一、自动抬压脚组件 Auto lifter components



十一、自动抬压脚组件 Auto lifter components

序号 Ref. No.	件号 PartNo.	参考件号 Ref. Part No.	名 称	Description	数量 Amt.
1	112S26012		支承螺钉小螺母	Nut	2
2	11428007		垫片	Washer	2
3	11230013		自动抬压脚电磁铁组件	Magnetic plug asm.	1
4	11226007		电磁铁曲柄销	Magnetic plugpin	1
5	H05003		挡圈	E-ring	2
6	11203003		曲柄套筒	Sleeve	1
7	11201003		电磁铁芯轴接头	Magnetic plug pin tie-in	1
8	S05038		接头螺钉	Screw	1
9	11204005		电磁铁曲柄	Magnetic crank	1
10	S05013		螺钉	Screw	1
11	H05011		挡圈	E-ring	1
12	11202003		自动抬压脚轴	Automated presser foot shaft	1
13	11228003		套筒垫片	Washer	1
14	11222016		油封	Oil seal	1
15	11203002		套筒	Sleeve	1
16	11211006		自动抬压脚罩壳	Wiper cover	1
17	S04022		罩壳螺钉	Screw	2
18	300253		后窗板（喷漆）	Slide plate	1
19	11228001		支承架支承螺钉垫片	Washer	1
20	112S11015		支承架支承螺钉	Screw	1
21	11212037		拉杆支架	Pull rod bracket	1
22	11228002		拉杆支架垫片	Pull rod bracket washer	1
23	112S16014		拉杆支架紧固螺钉	Screw	1
24	112S16011		套筒螺母	Nut	1
25	112S16012		拉杆螺母	Nut	1
26	11204004		自动抬压脚曲柄	Crank	1
27	11412053		自动抬压脚拉杆	Pull rod	1
28	112S20008		拉杆螺钉	Screw	1
29	S05004		螺钉	Screw	1
30	112S20009		抬压脚拉杆螺钉	Screw	1
31	H05013		挡圈	E-ring	1

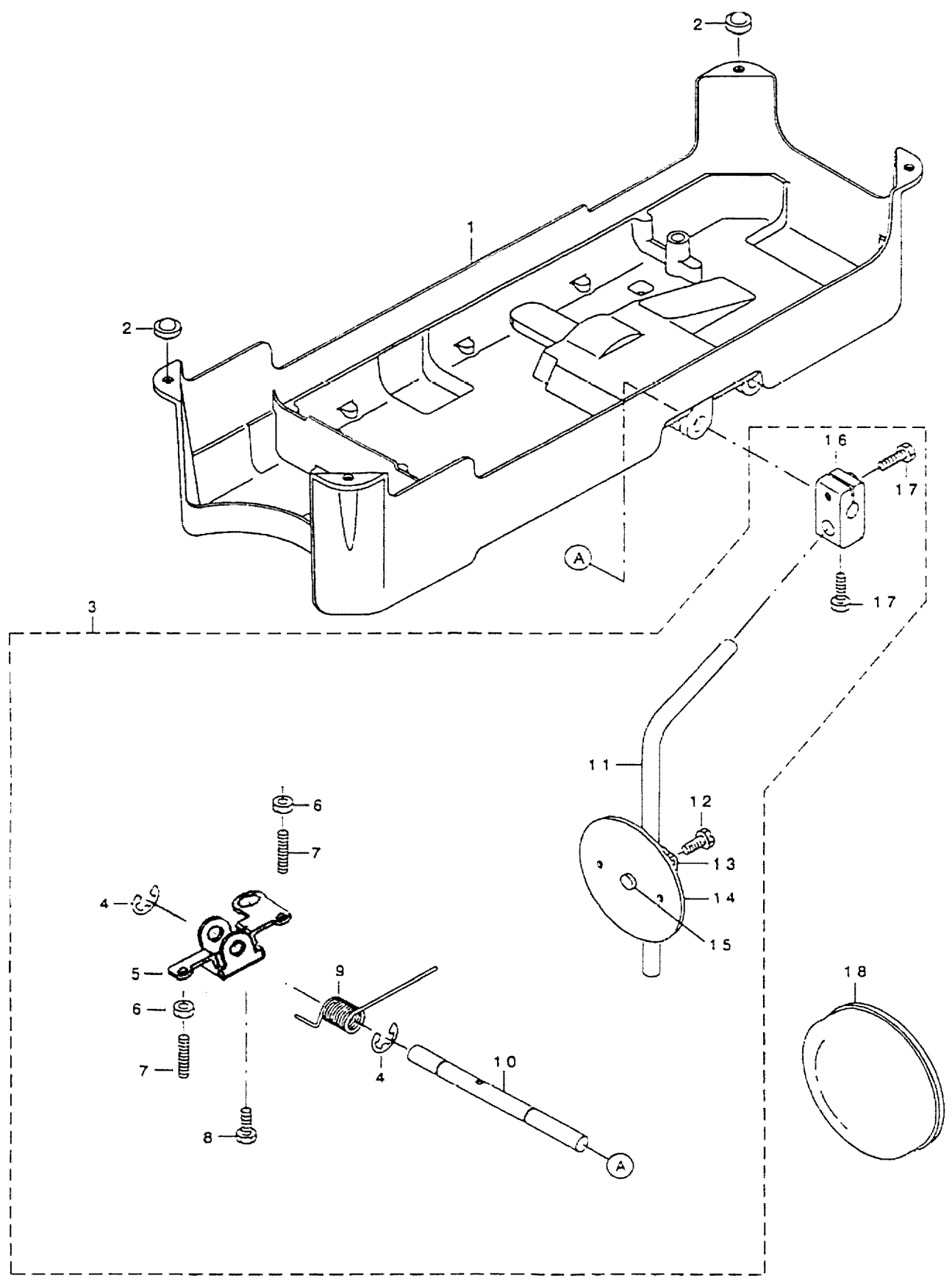
十二、线架组件 Thread stand components



十二、线架组件 Thread stand components

序号 Ref.No.	件号 PartNo.	参考件号 Ref.Part No.	名 称	Description	数量 Amt.
1	20131019		线架杆顶防护橡皮	Spool rest rod rubber cap	1
2	20131002		线架杆下节	Spool rest rod (lower)	1
3	20131001		线架杆上节	Spool rest rod (upper)	1
4	20131003		线架杆接头	Spool rested joint	1
5	10112040		上线架过线杆	Thread guide asm.	1
6	10112057		下线架过线杆	Thread guide asm.	1
7	S04050		螺钉	Screw	3
8	10113010		过线圈(外)	Thread guide ring	2
9	20131006		线盘钉	Spool pin	2
10	W02027		弹簧垫圈	Spring washer	2
11	N01034		螺母	Nut	2
12	20131007		线盘	Spool rest	2
13	20131008		线团防松垫	Spool vibration stopper	2
14	W01048		垫圈	Washer	2
15	N02004		螺母	Nut	1
16	S04051		螺钉	Screw	1
17	N01034		螺母	Nut	4
18	20131010		线盘垫	Spool rest cushion	2
19	10113011		过线圈(内)	Thread guide ring	2
20	W01047		垫圈	Washer	2
21	10122106		橡胶垫圈	Washer	2
22	1013100700		线架组件	Thread Stand Components	1

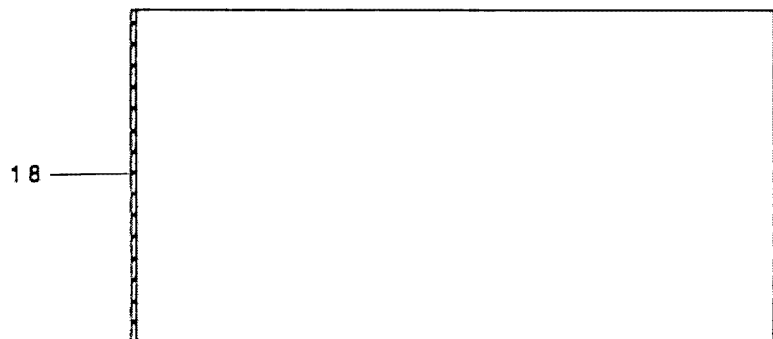
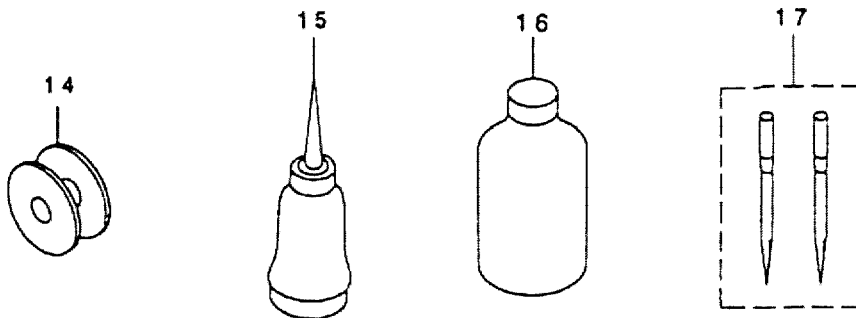
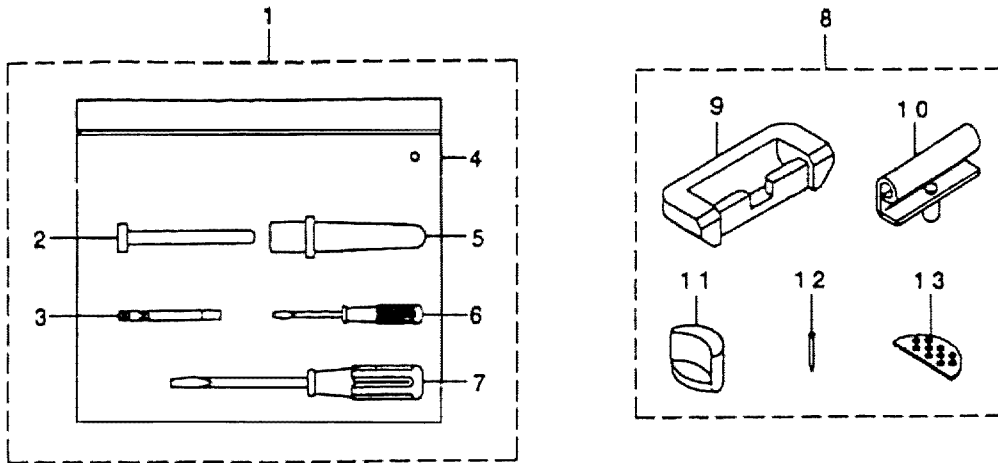
十三、底盘膝抬压脚组件 Under cover & lifter components



十三、底盘膝抬压脚组件 Under cover & lifter components

序号 Ref.No.	件号 PartNo.	参考件号 Ref.Part No.	名 称	Description	数量 Amt.
1	11401008	236-39008	底盘	Under cover	1
2	10122022	101-62600	机头座垫	Rubber cushion	4
3	1141204000		膝控组件	Knee lifter asm.	1
4	H05001	RE-1000000-K0	挡圈10	E-ring	2
5	11404025	236-39206	膝抬压脚曲柄	Connecting rod	1
6	N01007	NM-6060001-SE	螺母M6	Nut M6	2
7	114S12003		螺钉M6 L=40	Screw M6 L=30	2
8	101S12002		螺钉	Screw	1
9	11427023	236-39503	弹簧	Spring	1
10	11402023	236-39305	膝抬压脚轴（长）	Knee press rod (long)	1
11	10112028	236-34608	操纵杆	Knee pad upright shaft	1
12	101S12004	SM-9061203-SE	螺钉M6 L=12	Screw M6 L=12	1
13	10112030	229-34301	操纵杆接头	Knee pad plate support	1
14	10112029	229-34202	操纵板	Knee pad plate	1
15	10122025	229-34400	操纵杆垫	Knee pad plate rubber	1
16	10101009	229-32404	抬压脚操纵杆十字节头	Bracket	1
17	101S2003	SM-9062053-SR	螺钉M6 L=20	Screw M6 L=20	2
18	10122024	229-34509	操纵板软垫	Knee pad plate cover	1

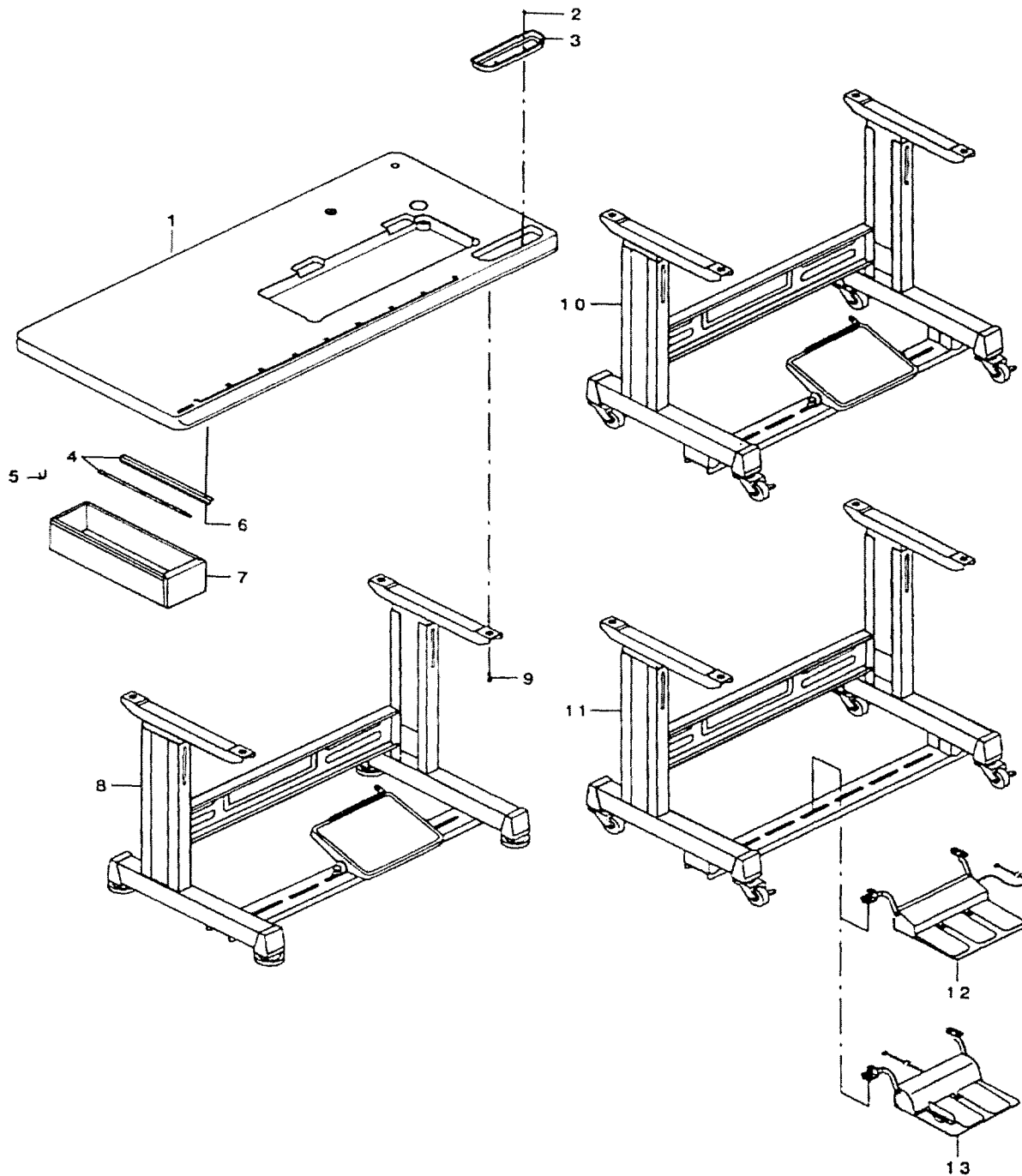
十四、附件组件 Accessorie part components



十四、附件组件 Accessorie part components

序号 Ref.No.	件号 PartNo.	参考件号 Ref.Part No.	名 称	Description	数量 Amt.
1	1143100600	236-39750	附件包部件	Accessorie bag asm.	1
2	11411023	236-39701	抬压脚顶销	kneelifter presser rod	1
3	11212001	229-58300	过线柱	Needle thread guide pin	1
4	11431007	229-32800	附件包	Accessorie bag	1
5	10111011	229-31604	机头支柱	Frame support bar	1
6	10131004	229-33204	螺丝刀 (小)	Screw driver, small	1
7	10131003	229-33105	螺丝刀 (中)	Screw driver, middle	1
8	1011203100	229-58052	机头连接钩部件	Tuvver higne asm.	1
9	10122026	229-26000	机头连接座钩	Rubber cushion	2
10	10112031	229-26356	机头连接钩	Higne compl	2
11	10122031	229-58003	机头座垫	Rubber cushion	2
12	101S30010	229-26208	机头连接钩座钉	Rubber cushion nail	8
13	10122022	229-26505	油盘座垫	Washer	2
14	10118003	B9117-552-A00	梭心	Bobbin	2
15	11631008	B9121-012-0A0	油壶	Oiler asm	1
16	11411027	MDF-R×1600C0	大油壶	Defrix oil No.1	1
17	10117001		机针14#	Needle DB×1#14-2	4
18	40131017		保护袋	Frame vinyl cover	1

十五、机架、台板组件 Table & Stand components

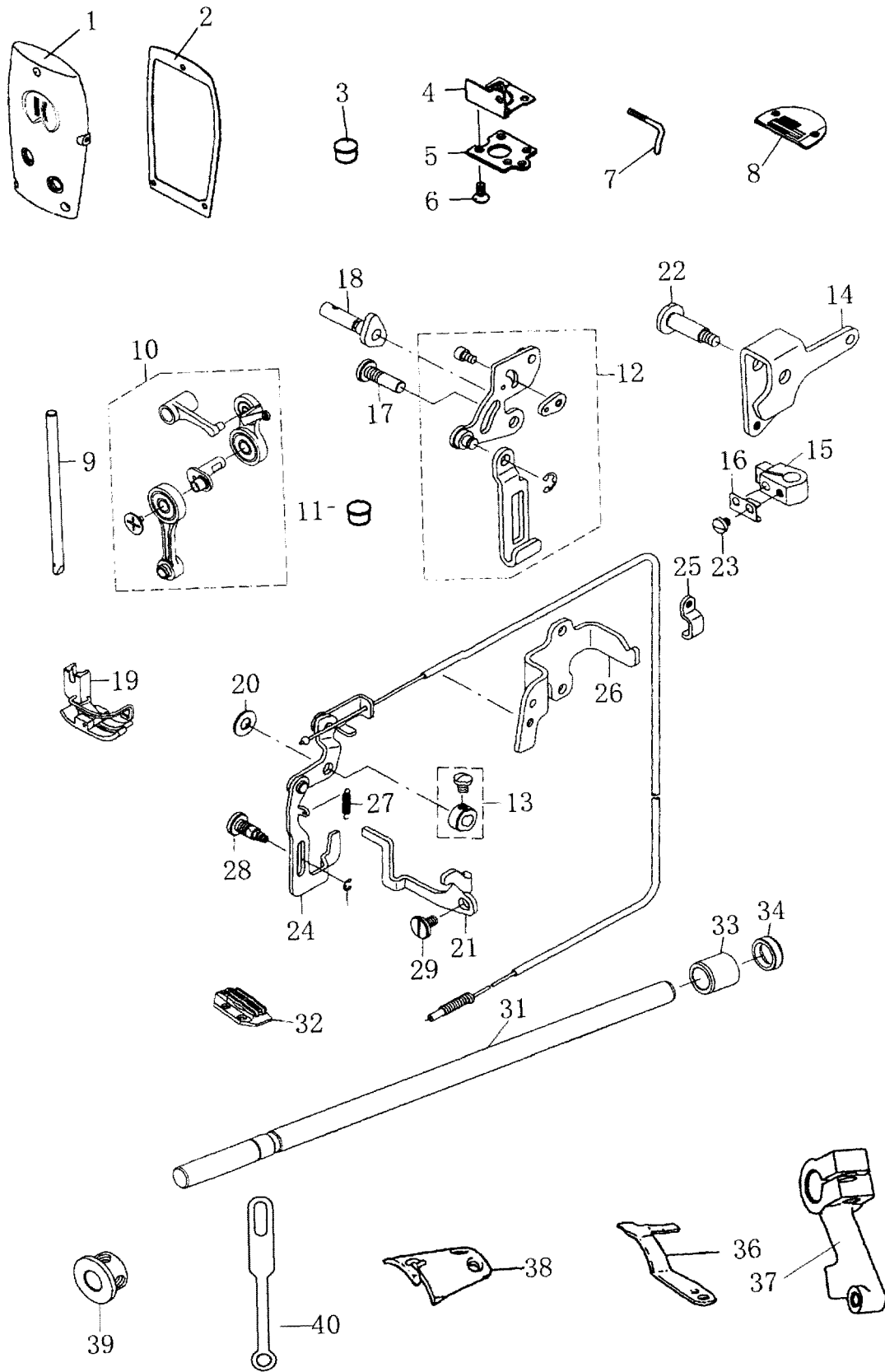


十五、机架、台板组件 Table & Stand components

序号 Ref. No.	件号 PartNo.	参考件号 Ref. Part No.	名 称	Description	数量 Amt.
1	11432001	236-42200	台板	Table	1
2	114S30014	SK-3382001-SC	木螺钉	Wood screw D=3.8 L=20	4
3	11431012	111-56007	盒子	Case	1
4	11431015	111-55207	抽屉支架	Drawer support	2
5	11431017	D8204-555-D00	抽屉定位块	Drawer support	1
6	114S30012	SK-3311600-SE	木螺钉	Wood screw D=3.1 L=16	4
7	11431014	111-55108	抽屉	Drawer	1
8	11432003	111-57567	台板架	T-leg junction	1
9	114S30013	SK-3513200-SC	木螺钉	Wood screw D=5.1 L=32	4
10	11432004	111-59365	滑动板架	T-stand junction	1
11	11432005	111-59357	滑动架部件	T-stand asm.	1
12	11432006	GPK-700010A0	3-连接踏板	3-Foint pekal, 70	1
13	11432007	GPK-710010A0	2-连接踏板	2-Foint pekal 71	1

十六、JK-8995专用件 (1)

Special parts for JK-8995



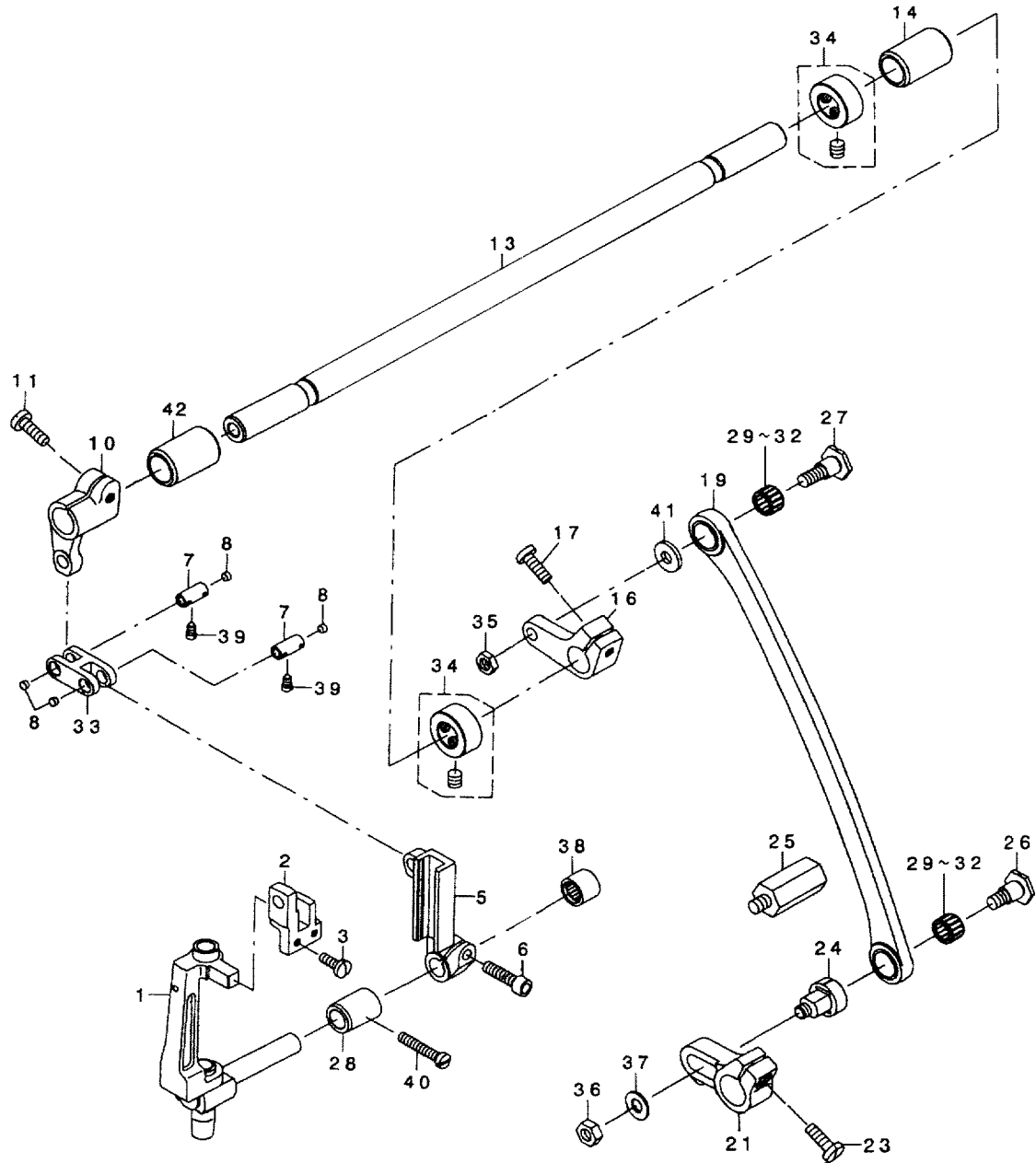
十六、JK-8995专用件(1)

Special parts for JK-8995

序号 Ref. No.	件号 Part No.	参考件号Ref. Part No.	名 称	Description	数量 Amt.
1	301051	400-00209	面板(喷漆)	Face plate	1
2	13122001	400-00210	面板垫	Face plate packing	1
3	13122003	TA-1250804-R0	针杆孔塞	Rubber plug	1
4	13122002	400-00212	针杆油封套	Pressing plate packing	1
5	13112001	113-00407	针杆油封套固定板	Presser bar support	1
6	131S02001	SS-1120710-SP	螺钉SM3/16"×28 L=6.5	Screw SM3/16"×28 L=6.5	4
7	13113001	113-05513	缓线钩	Arm thread guide C	1
8	13115001	113-00308	针板	Throat plate	1
9	13102008	400-00220	针杆A	Needle bar A	1
10	1313800100	400-00228	挑线杆组件	Threadtake-up compl	1
11	10122003	SS-6151920-TP	面板调节孔塞	Rubber plug	1
12	1311200600	400-00228	膝提拉杆组件	Lifting plate asm.	1
13	13108001	CS-064061A-SP	挡圈	Thrust collar link	1
14	13112002	400-00230	抬压脚后杠杆	Lifting lever link	1
15	13109001	400-00231	压脚导架	Presser bar guide bracket	1
16	13112014	400-00232	压脚导架板	Guide bracket plate	1
17	131S20001	1113-01702	前杠杆螺纹销	Link shaft	1
18	1311000100	400-00233	压脚扳手凸轮组件	Presser lifter cam compl	1
19	1311600100	D1524-415-BBC	活压脚组件	Presser foot asm.	1
20	13128001	WP-0651001-SC	垫片	Washer	1
21	13112004	400-00333	松线杠杆	Thread release link	1
22	13120001	GAK-A1843000	后杠杆轴位螺钉	Knee lifter link fulcrum shaft	1
23	131S01002	SS-7110410-SP	螺钉SM11/64"×40 L=4	Screw SM11/64"×40 L=4	1
24	1311200500	400-00327	松线顶板组件	Thread release wire asm.	1
25	13112008	400-00334	松线导管压板	Wire guide	1
26	13112009	400-00332	松线导管支架	Eire holder bracket	1
27	13127001	113-005901	松线顶板复位簧	Differeftial plate spring	1
28	131S20002	113-06107	松线顶板螺纹销	Differeftial plate shaft	1
29	131S20003	SD-0640261-SP	松线杠杆轴位螺钉 D=3.65 H=2.	Hinge screw D=3.65 H=2.6	1
31	13102003	400-00247	送料轴	Feed rocker shaft	1
32	13114001	D1609-415-B00	牙齿	Feed dog	1
33	13103001	400-00248	送料轴后套筒	Horizontal feed shaft metal	1
34	1312200500		油封组件	Oil seal	1
36	13119002	03A-0016	定刀	Secant knife	1
37	13104006		切线曲柄	Thread shear rock arm	1
38	13119003	06A-0001	动刀	Motorial knife	1
39	13108003	236-12716	倒送料调节轴挡圈	Thrust collar	1
40	13105009		连杆	Pull rod	1

十七、JK-8995专用件 (2)

Special parts for JK-8995



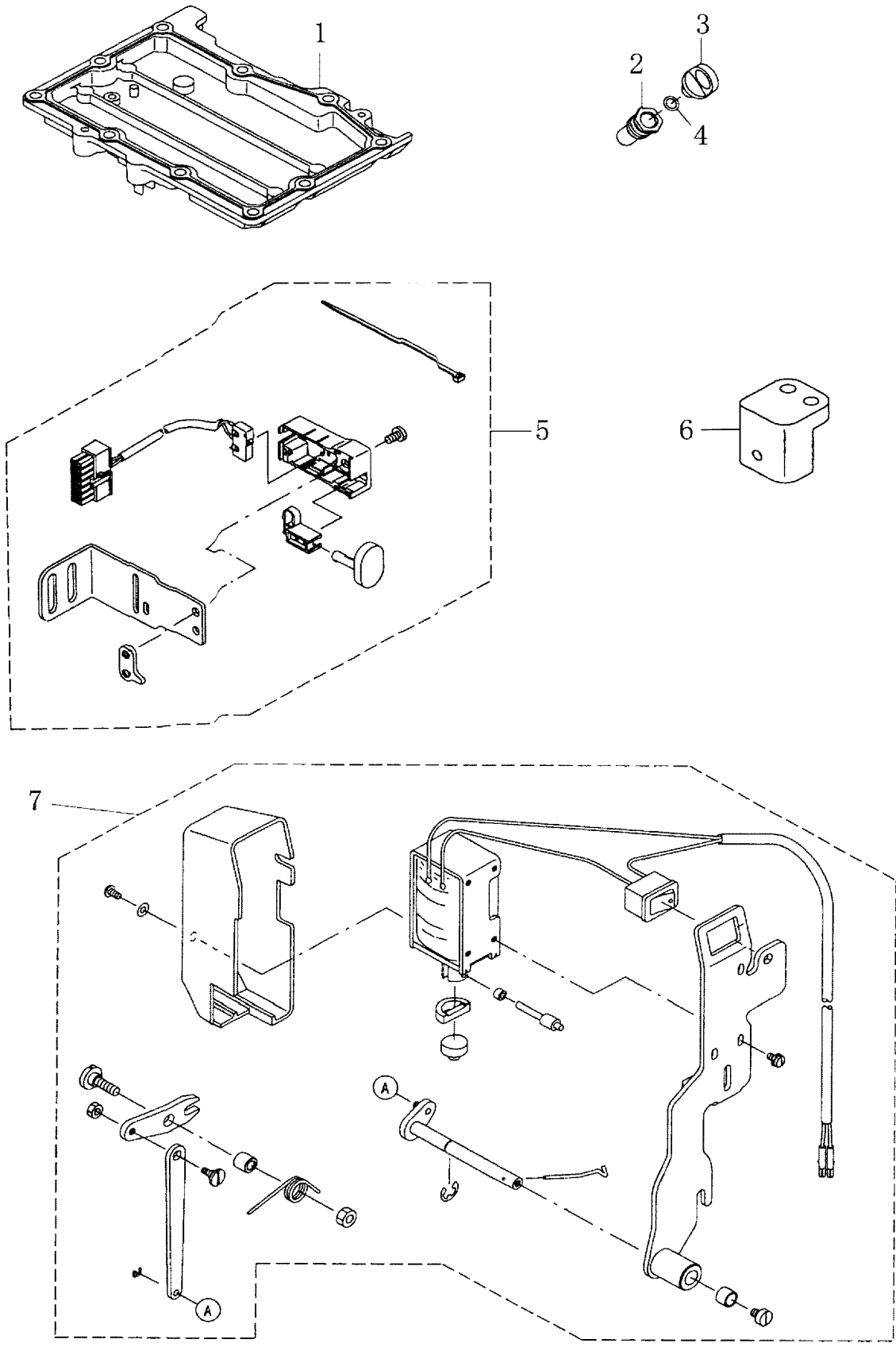
十七、JK-8995专用件(2)

Special parts for JK-8995

序号 Ref. No.	件号 Part No.	参考件号Ref. Part No.	名称	Description	数量 Amt.
1	1310100300	400-00281	针杆支架组件	Rocking base compl	1
2	13109003	400-00289	针杆支架导轨	Rocking base guide	1
3	131S01004	SS-7091110-TP	活压脚螺钉	Screw	1
5	13109004	400-00292	滑块导轨	Slide block guide	1
6	114S30001		内六角圆柱头螺钉	Screw	1
7	13126004	400-00293	连接销(DLC)	Link fin	2
8	13111002	TA-0340201-R0	塞子	Plug D=3.3×3.9 L=5	4
10	13104003	400-00296	前驱动曲柄	Driving crank asm, front	1
11	101S11016	SS-7121410-TP	螺钉	Screw	1
12	10128003	WP-0480856-SP	垫圈	Washer	1
13	13102005	400-00298	针摆动轴	Needle feed shaft	1
14	13103002	400-00299	针送料轴套	Needle feed shaft metal	1
16	13104004	400-00302	后驱动曲柄	Driving crank, rear	1
17	101S11016	SS-7121410-TP	螺钉	Screw	1
18	10128003	WP-0480856-SP	垫圈	Washer	1
19	13105005	400-00304	针送料连杆组件	Needle feed rod compl	1
20	13104005	400-00308	针送料驱动曲柄	Needle feed arm	1
21	101S11016	SS-7121410-TP	螺钉	Screw	1
22	10128003	WP-0480856-SP	垫圈	Washer	1
24	131S20004	400-00309	针送料调节螺钉	Needle feed adjusting block	1
25	13109005	400-00311	针送料连杆支柱	Needle feed rod steut	1
26	131S20005	SD-0800801-TP	轴位螺钉 D=8 H=8	Step-screw D=8 H=8	1
27	131S20006	SD-0800802-TP	轴位螺钉 D=8 H=8	Step-screw D=8 H=8	1
28	13103003	112-14509	针杆支架轴套	Bushing	1
29-32	10124001		挑线杆滚针轴承	Bearing	2
33	13105006	B2906-415-000	驱动连杆	Driving link	1
34	13108002	CS-120101B-SH	挡圈	Thrust collar asm	2
35	131N01002	NS-6150430-SP	螺母	Nut 15/64-28	2
36	13128001	WP-0651001-SC	垫片	Washer	1
38	131B07001		滚针轴承	Bearing	1
39	131S01004	SS-6090660-TP	螺钉SM9/64"×40 L=6	Screw SM9/64"×40 L=6	2
40	131S01005	SS-7112420-SP	驱动轮螺钉	Screw SM11/64"×40 L=24	1
41	13128006	WP-0602016-SP	垫圈	Washer	1
42	13103008		针送料轴前套	Needle feed shaft metal	1

十八、JK-8995专用件 (3)

Special parts for JK-8995



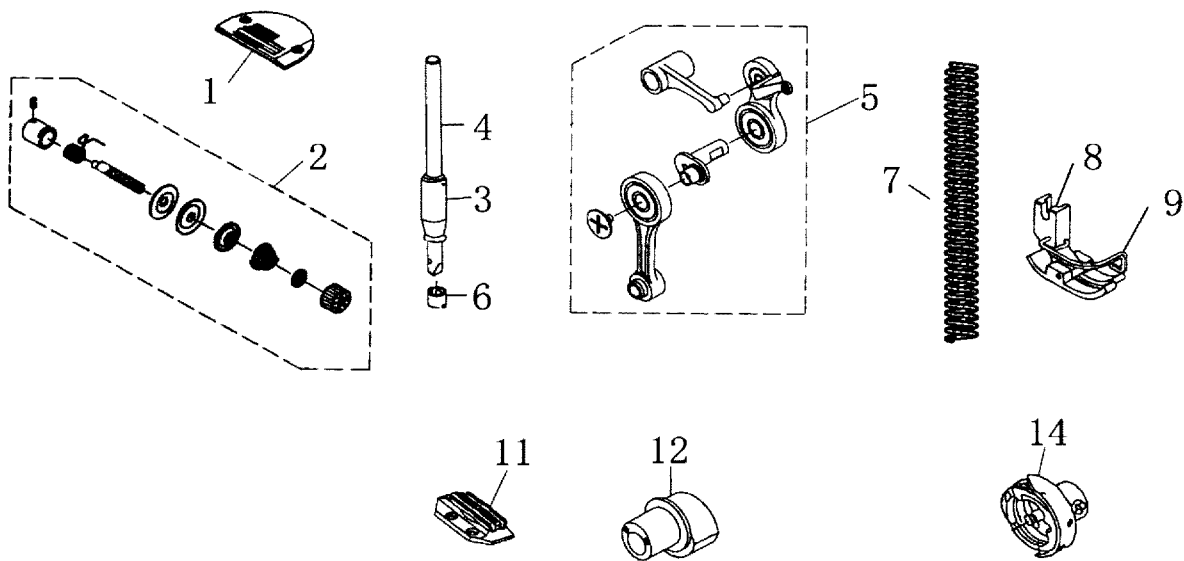
十八、JK-8995专用件 (3)

Special parts for JK-8995

序号 Ref.No.	件号 Part No.	参考件号Ref. Part No.	名称	Description	数量 Amt.
1	13101004	400-11344	齿轮箱盖	Gear boa cover	1
2	13121001	400-00343	加油口	Lubricating inlet	1
3	13111003	400-00344	加油口帽	Lubricating inlet cap	1
4	13122004	RO-0481901-00	O型圈	Rubber ring	1
5	1311201100	400-00349	自动倒送料开关固定支架组件	Reverse feed switch asm	1
6	13109006	400-003551	倒送料安装块	Reverse feed base	1
7	1311201200	400-00355	拨线电磁铁支架组件	Wiper base compl	1

十九、JK-8990DH专用件

Special parts for JK-8990DH



十九、JK-8990DH专用件

Special parts for JK-8990DH

序号 Ref.No.	件号 Part No.	参考件号Ref. Part No.	名称	Description	数量 Amt.
1	11415001	114-00801	针板	Throat plate	1
2	400527	236-26062	夹线器组件	Thread tenstion asm.	1
3	11403031	236-45609	针杆下套	Needle bar metal, lower	1
4	11402032	400-00221	针杆	Needle bar	1
5	1143800500	236-45559	挑线杆组件	Thread take-up compl	1
6	11412063	B141815H00	针杆线勾	Needle thread guide	1
7	11427024	B1505552000A	调压弹簧	Feed adjusting spring	1
8	1141600200	D1524555EBL	压脚组件	Presser foot asm.	1
9	11427025		护指器		1
11	10114010	114-03003	牙齿	Feed dog	1
12	1141002300	236-19000	抬牙凸轮组件	Feed driving cam	1
14	11218002	110-92251	旋梭	Hook asm	1